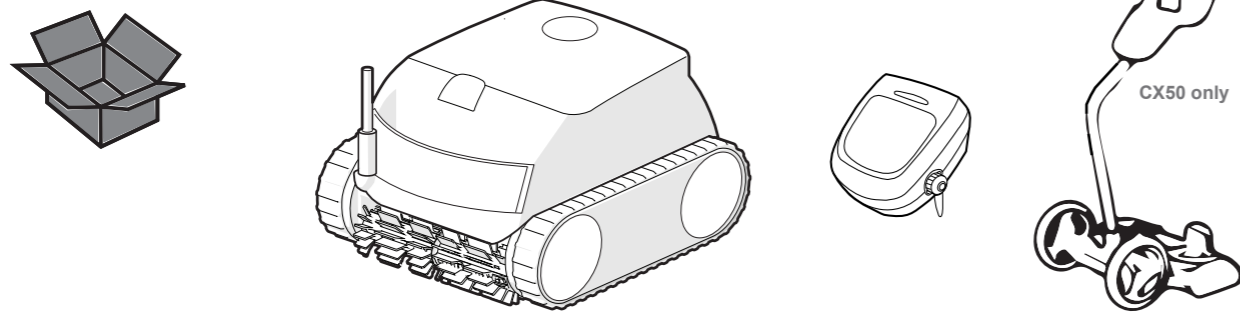
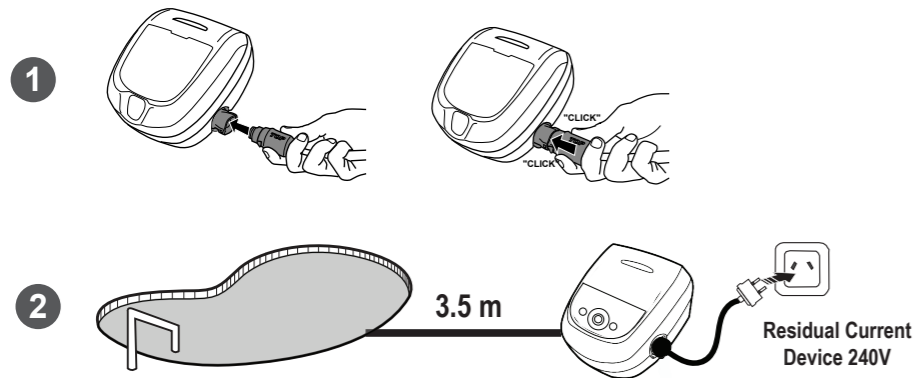


1 Contents



2 Connect Floating Cable

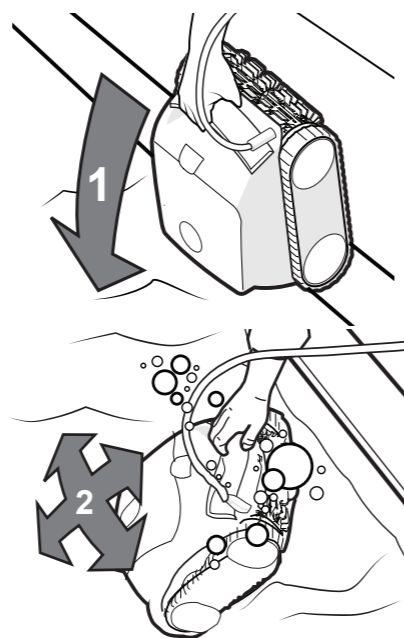
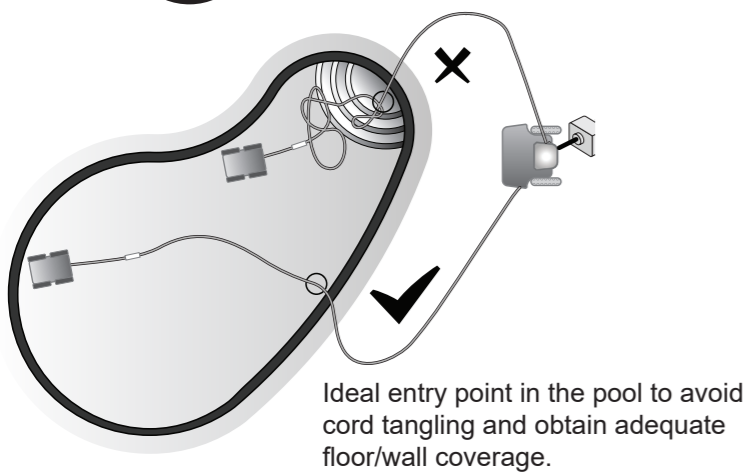


! Never turn on the cleaner unless it is fully submerged in the water. Doing so will void the warranty and may cause severe damage to the cleaner motors.

Do not use an extension cord to connect the control unit.

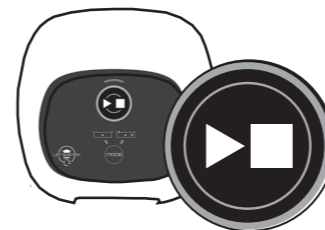
3 Submerge Robotic Cleaner in Pool

! Never swim when cleaner is in the pool



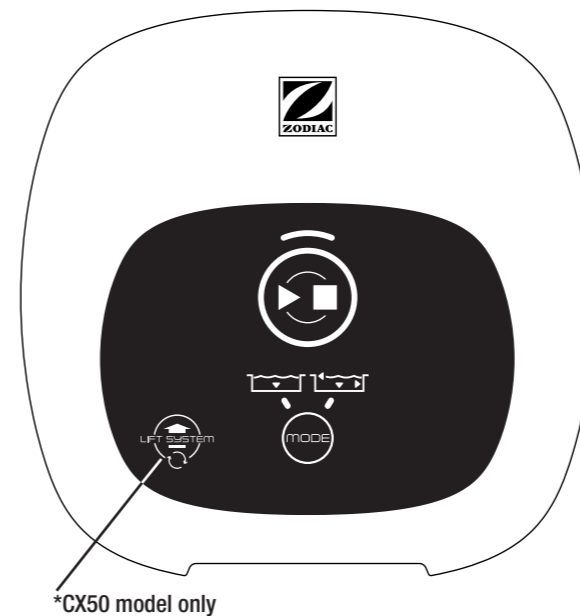
Wait for bubbles to stop completely, then let the cleaner sink to the bottom of the pool.

4 Start Cleaning



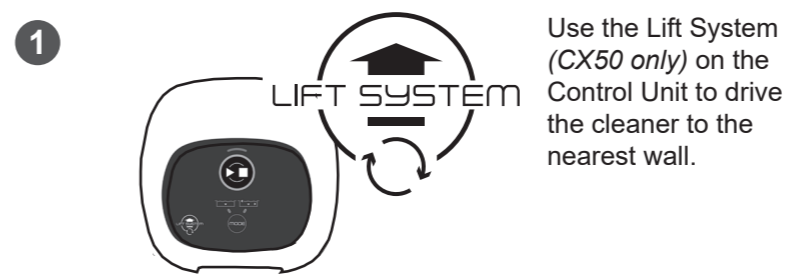
Press the Start/Stop button to begin cleaning.

5 Control Unit



	Start/Stop cleaning
	Select cleaning mode:
	Floor Only (1h 15 min) Cleans Floor only
	Floor/Walls/Waterline (2h 30min).
	Remove cleaner from the pool (CX50 only)

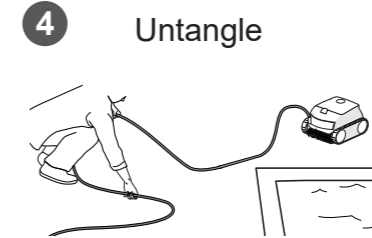
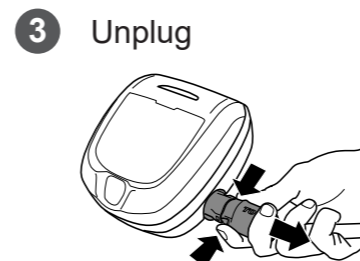
6 Proper Removal from Pool



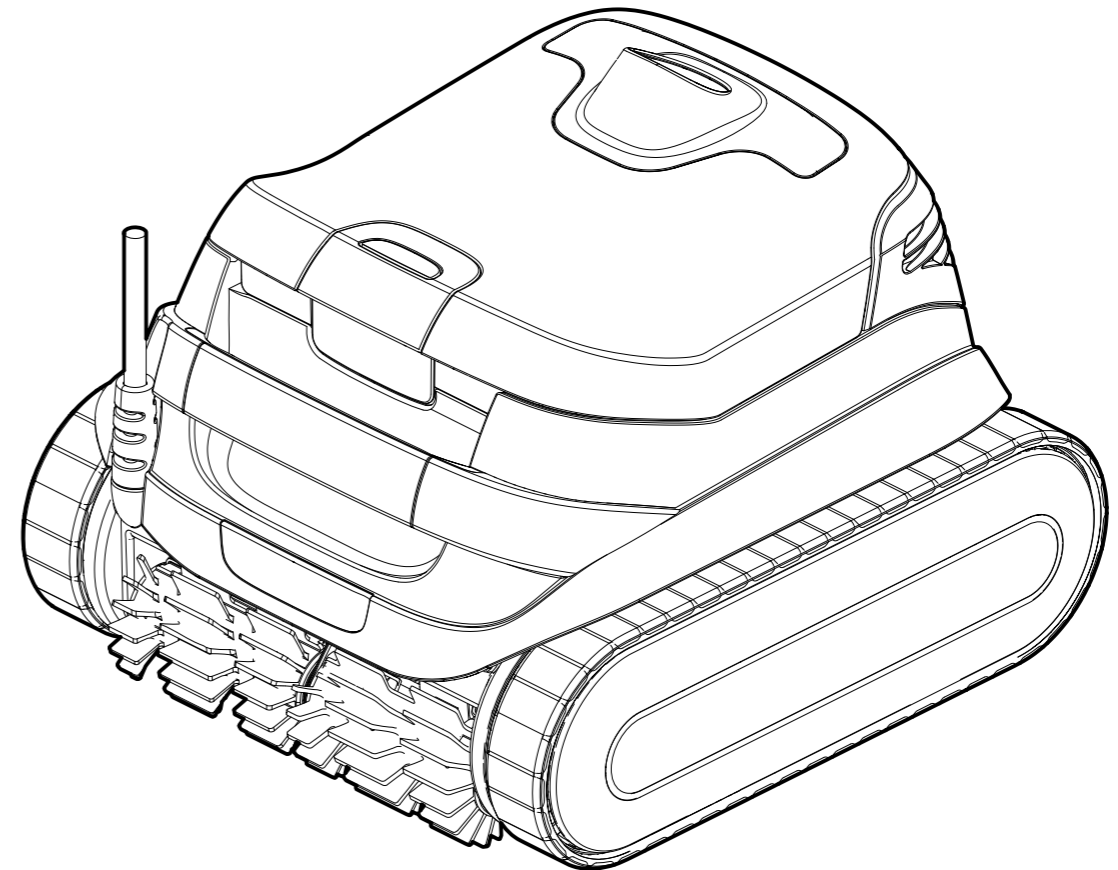
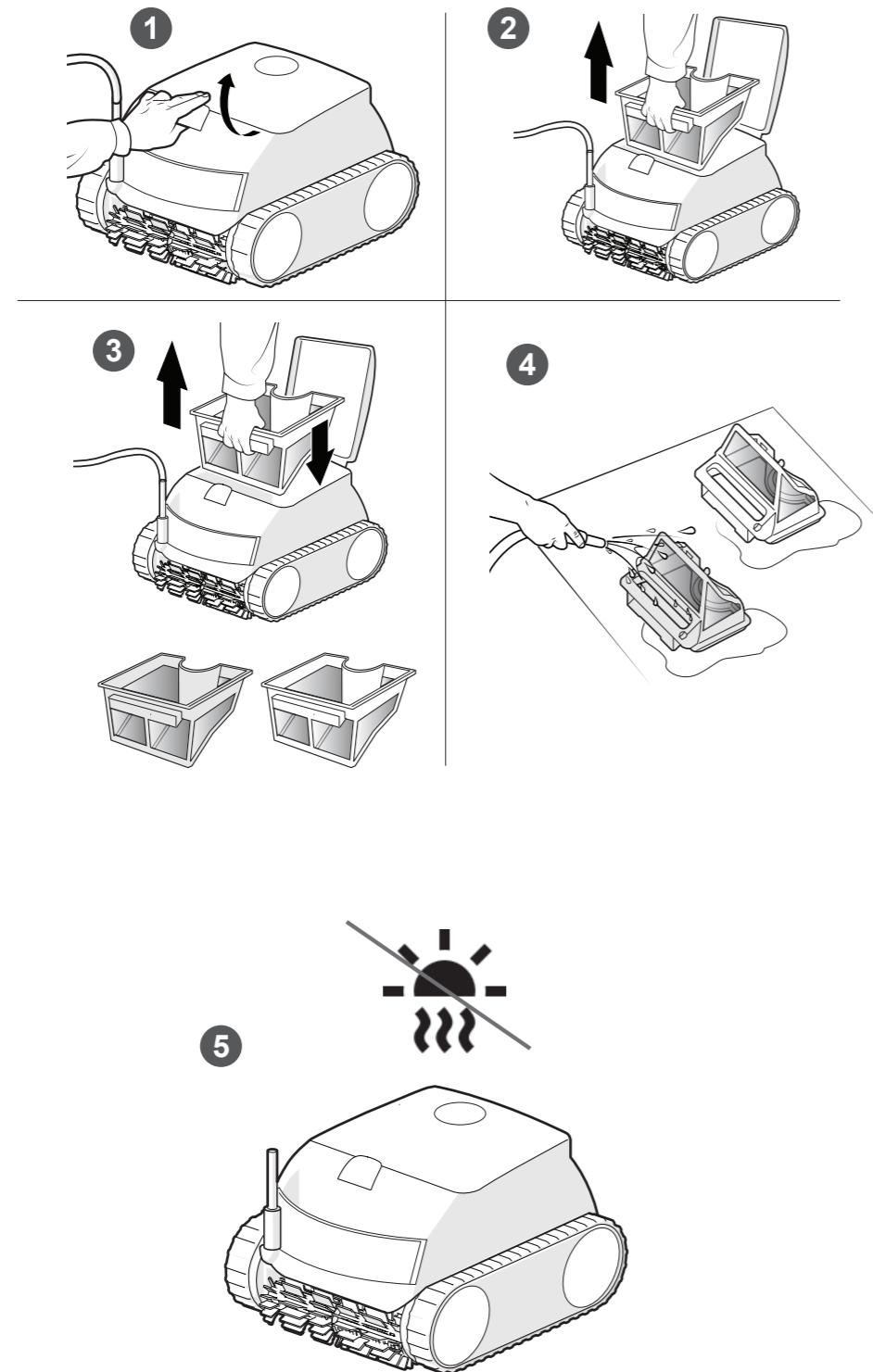
2 Remove the cleaner from the pool using the handle.



NOTE: Never lift the cleaner out of the pool by the floating cable.



7 Rinse and Store Cleaner



Robotic Cleaner

Models: CX40, CX50

TYPE EB37--



Before You Start

This Quick Start Guide contains essential installation and startup instructions. For additional operation, maintenance, and troubleshooting instructions, please refer to the complete Owner's Manual. Read the complete manual and all safety warnings before commencing installation.

Fluidra Group Australia Pty Ltd
1 Herbert Place, Smithfield NSW 2164
PO Box 7238 Wetherill Park NSW 1851,
Australia
ABN: 87 002 641 965
Zodiac.com.au | 1300 186 875

Fluidra NZ Ltd
13 Douglas Alexander Parade
Rosedale Auckland 0632, New Zealand
NZBN: 942 903 181 70759
Zodiac.co.nz | 0800 807 665



This Quick Start Guide contains essential installation and startup instructions. For complete maintenance and troubleshooting instructions, please refer to the complete Owner's Manual available at www.zodiac.com.au | www.zodiac.co.nz

A Fluidra Brand

©2023 ZODIAC is a registered trademark of Zodiac International S.A.S., used under license. This document is subject to change without notice.

H0829900_REVA