

# QC RETRO-FIT

Identification Chart

Aqua-Quip QC Retro-Fit Lights replace the following brands of Surface Mounted Lights:



**Stroud C150**  
Diameter 210mm

**Poolrite**  
Diameter 232mm

**Varimode**  
Diameter 211mm



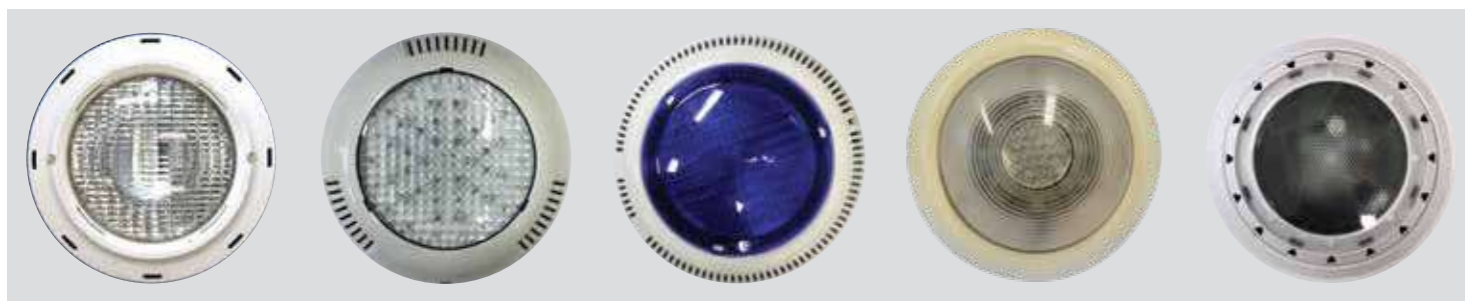
**Waterco**  
Diameter 220mm

**Waterco Britestream MKIV**  
Diameter 220mm

**Waterco Britestream MKV**  
Diameter 240mm

**Swimworld**  
Diameter 250mm

**Stroud SM400**  
Diameter 250mm\*



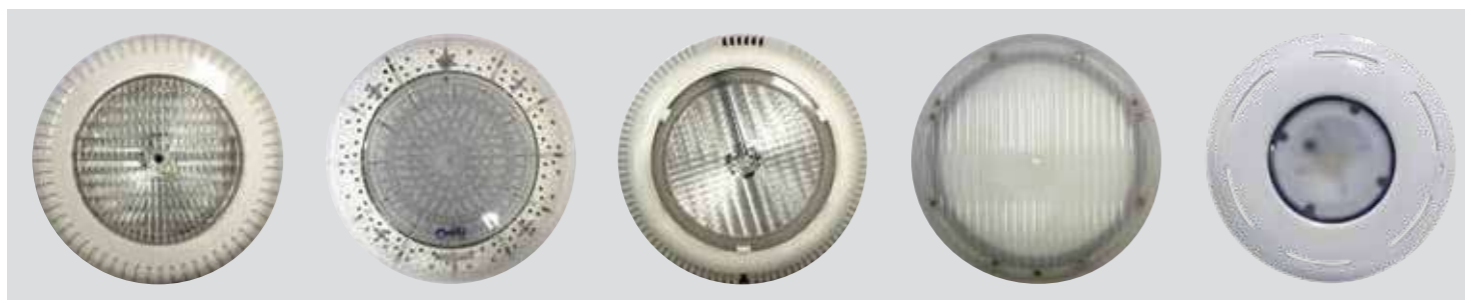
**Filtrite**  
Diameter 250mm\*

**Sunline/Rivendale**  
Diameter 230mm

**Spa Electrics SE3M**  
Diameter 235mm

**PAL RCS**  
Diameter 220mm

**Spa Electrics**  
Diameter 200mm



**Autumn Solar Slim 180**  
Diameter 220mm

**Emaux E-Lumen**  
Diameter 261mm

**Magic Pool Products**  
Diameter 236mm

**Aqua-Quip Halogen**  
Diameter 230mm

**Zodiac Lumipower SM**  
Diameter 196mm

\*When purchasing QC Retro-Fit Lights to replace either Filtrite or Stroud SM400 Retro-Fit Lights, you will need to purchase the additional P/N: APL 075 Locating Bar Assembly.

Aqua-Quip QC Retro-Fit Lights are suitable for concrete pools only, and cannot be connected to DC power supplies or Electronic Transformers.

# QC SERIES

Concrete Surface-Mounted Pool Light

Aqua-Quip's QC Series Surface Mounted light is the ideal choice for new pools and retro-fitting older style lights.

Stylish art-deco construction with robust mounting hardware makes QC ideal for all surface-mounted applications. Featuring the industry's best Plug Kit, enabling simple installation for both new pool construction and when used to replace other brands. Variable-voltage technology allows operation from voltages ranging from 12V AC - 32V AC.

\*Multi-Colour pool lights are suitable to be controlled from either a wall switch or from the Insta-Touch Smart Lighting Controller.



### Specifications

<b>Suitable for</b>	New and existing Concrete Pools	
<b>Fascia Colour Options*</b>	White (standard), Metallic Grey	<b>For Retro-Fit QC Lights:</b> No cable supplied. The included Plug Kit is to be connected to the existing cable.
<b>Cable Lengths</b>	20m, 30m	
<b>Cable Gauge</b>	0.75mm <sup>2</sup> , 2 core	
<b>Detachable Cable</b>	Yes, Plug Kit is factory fitted to supply cable	
<b>Operating Voltage</b>	Variable Voltage 12v AC ~ 32V AC. +20%,-20%	
<b>Rating</b>	IPX8	<b>Fault Protection</b> Thermal cutout. Voltage transient clamping

\*Add a 'G' to order code if requiring a grey fascia.

Standard QC SERIES	Multi-Colour	Blue	White	Warm White
<b>Power Consumption</b>	30 VA Max	25 VA	25 VA	25 VA
<b>Light Colour</b>	Program Dependant	475 nm	>5000K	3000K
<b>Light Output (typical)</b>	Up to 590 lm	300 lm	1050 lm	1050 lm

QC QUATTRO SERIES	White	Blue	Aqua	Green
<b>Power Consumption</b>	12 VA	12 VA	20 VA	12 VA
<b>Light Colour</b>	6500K	470 nm	490 nm	530 nm
<b>Light Output (typical)</b>	540 lm	135 lm	530 lm	400 lm

### RETRO-FIT LIGHT + Universal Mounting Bracket & Plug Kit - CONCRETE (no transformer)

Code	Description
LED 011	QC Blue Retro-Fit LED Light
LED 012	QC White Retro-Fit LED Light
LED 014T	QC Multi-Colour Retro-Fit LED Light
LED 014Q	QC Quattro Quad Colour Retro-Fit LED Light <b>NEW!</b>

### LIGHT + CABLE - CONCRETE With Mounting Hardware (no transformer)

Code	Description (with 20m CABLES)
LED 001	QC Blue LED Light - 20m
LED 002	QC White LED Light - 20m
LED 004T	QC Multi-Colour LED Light - 20m
LED 004Q	QC Quattro Quad-Colour LED Light - 20m <b>NEW!</b>

Code	Description (with 30m CABLES)
LED 031	QC Blue LED Light - 30m
LED 032	QC White LED Light - 30m
LED 034T	QC Multi-Colour LED Light - 30m
LED 034Q	QC Quattro Quad-Colour LED Light - 30m <b>NEW!</b>



QC Retro-Fit LED Lights are supplied with the unique waterproof Quick Connect Plug Kit and a universal mounting bracket - allowing replacement of all other brands of surface mounted lights in concrete pools.

MultiColour Lights Dimmable via InstaTouch



## QUATTRO QUAD COLOUR

Quattro Quad-Colour option is now available in all QC lighting fixtures. Quattro provides bright and vivid colours of White, Blue, Aqua & Green. Simply switch off/on to move between these colours.

# SPARE PARTS

for  
QC LED Surface Mounted Light



**2. Render Ring**  
P/N APL061



**3. Universal Mounting Bracket**  
P/N APL050



**1. Light only - front view**  
P/N LED021-024Q



**4. Design Ring - factory fitted to the front of the light and can be easily unclipped if not required.**  
P/N LED151 - White  
P/N LED152 - Metallic Grey



**5. Cable with Plug Kit.**  
The cable is circular 2-core 0.75mm<sup>2</sup>, and is available in lengths of 20m, 30m and 40m.  
P/N LED420-440



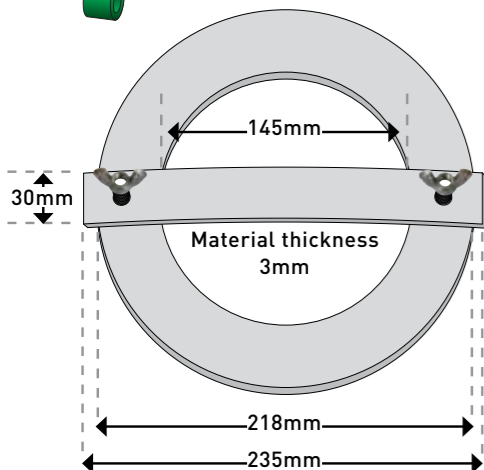
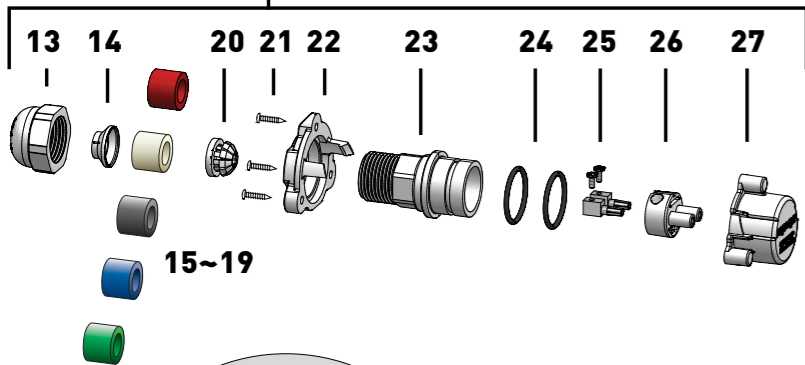
**7. Quick Connect Plug Kit.**  
This innovative plug kit is supplied with a range of colour-coded cable seals, allowing it to be connected to a range of cable thicknesses. It simply plugs into the rear of the QC LED Light and is secured with three screws.  
P/N LED375

**12. Cable Hook.**  
P/N APL802

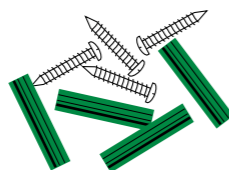


**1. Light only - rear view**

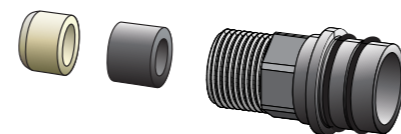
**6. PE-6 Screw Kit.**  
P/N APL006



**9. Locating Bar Assembly (left)** required for Stroud SM400 and Filtrite retro-fits. P/N APL075



**10. Retro-Fit Screw Kit** to affix the Universal Mounting Bracket to the concrete pool wall. P/N APL071



**8. Thick Cable Kit**  
Use when retro-fitting a Aqua-Quip QC Surface Mounted LED Pool Light onto an existing cable that is too thick (or has become swollen over time).  
P/N ASN119



**11. Extension Cable Joining Kit.**  
60cm long to extend the original cable. Available in 1mm<sup>2</sup> (P/N LED114), 1.5mm<sup>2</sup> (P/N LED115) and 4mm<sup>2</sup> (P/N LED120).

# SPARE PARTS

for  
QC LED Surface Mounted Light

Item Code	Description
1	LED 021 Blue LED QC Light Only
1	LED 022 White LED QC Light Only
1	LED 023 Green LED QC Light Only
1	LED 026 Warm White LED QC Light Only
1	LED 024T Multi-Colour LED QC Light Only
1	LED 024Q Quad-Colour LED QC Light Only
5	LED 420 20M Cable With QC Plug Kit
5	LED 430 30M Cable With QC Plug Kit
5	LED 440 40M Cable With QC Plug Kit
3	APL 050 Universal Mounting Bracket
3	APL 050S Universal Mounting Bracket - Short Posts
2	APL 061 Render Ring (Inc Screws)
4	LED 151 Design Ring - White
4	LED 152 Design Ring - Metallic Grey
6	APL 006 PE-6 Screw Kit For Mounting Bracket
7	LED 375 QC Series Quick Connect Plug Kit
8	ASN 119 Thick Cable Kit For QC And Evo Series
9	APL 075 Locating Bar Assembly For SM400 And Filtrite
10	APL 071 Retro Fit Screw Kit (Bracket To Wall)

Item Code	Description
11	LED 114 QC Extension Cable Joining Kit (1mm <sup>2</sup> Cable)
11	LED 115 QC Extension Cable Joining Kit (1.5mm <sup>2</sup> Cable)
11	LED 120 QC Extension Cable Joining Kit (4mm <sup>2</sup> Cable)
12	APL 802 Cable Hook
13	ASN 366 Cable Nut
14	ASN 367 Washer
15	ASN 373 Green Seal (Suits Gauge .5mm <sup>2</sup> Cable)
16	ASN 374 Blue Seal (Suits Gauge .75mm <sup>2</sup> Cable)
17	ASN 370 Red Seal (Suits Gauge 1mm <sup>2</sup> Cable)
18	ASN 371 White Seal (Suits Gauge 1.5mm <sup>2</sup> Cable)
19	ASN 372 Black Seal (Suits Gauge 2.5mm <sup>2</sup> - 4mm <sup>2</sup> Cable)
20	ASN 365 Cable Clamp
21	APL 806 Screw Kit For Cable Bracket
22	APL 804 Cable Bracket
23	ASN 363 Connector Housing
24	ASN 380 O-Ring Kit
25	ASN 611 Female Pin Kit
26	ASN 362 Female Plug (AU)
27	APL 803 Cable Cap