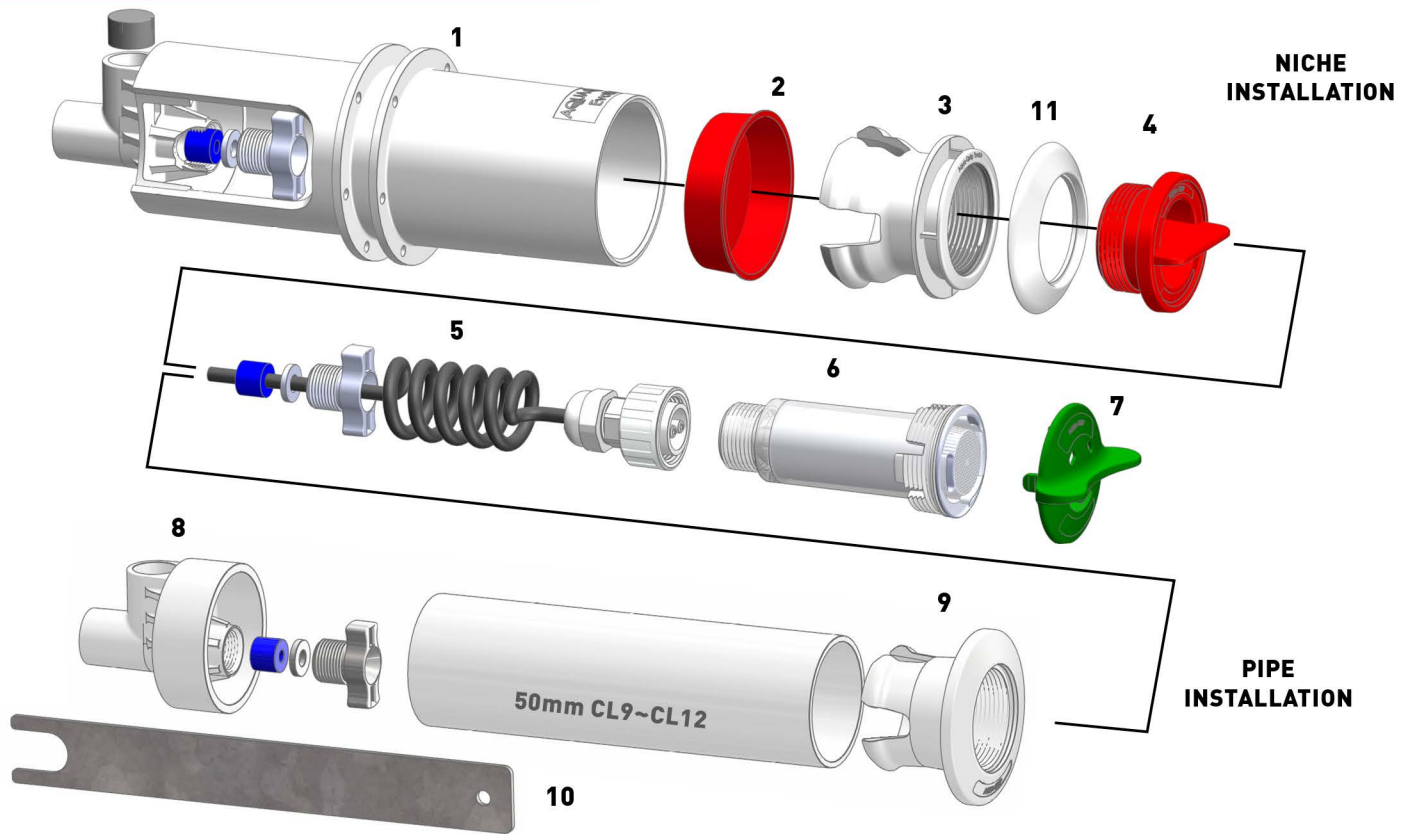


# EVO LV Parts Diagram



Code	Item	Description
1	EPL 410	EvoLV Niche
2	EPL 411	Concrete Cap
3	EPL 412W	EvoLV Render Ring - White
3	EPL 412G	EvoLV Render Ring - Grey
3	EPL 412B	EvoLV Render Ring - Black
4	EPL 413	EvoLV Render Cap
5	EPL 420	20m Cable, with Plug Kit & Cable Seal Assy.
5	EPL 430	30m Cable, with Plug Kit & Cable Seal Assy.
5	EPL 440	40m Cable, with Plug Kit & Cable Seal Assy.
6	EPL 401M	EvoLV Light Only - Blue
6	EPL 402M	EvoLV Light Only - Cool White
6	EPL 403M	EvoLV Light Only - Warm White
6	EPL 404HT	EvoLV Light Only PRO RGB+W - INSTATOUGH Program
6	EPL 404HA	EvoLV Light Only PRO RGB+W - ASTRAL Program

Code	Item	Description
6	EPL 404HJ	EvoLV Light Only PRO RGB+W - JANDY Program
6	EPL 404HH	EvoLV Light Only PRO RGB+W - HAYWARD Program
6	EPL 404HP	EvoLV Light Only PRO RGB+W - PENTAIR Program
7	EPL 433	Installation Tool
8	EPL 431	EvoLV End Cap (Suits 50mm Pipe)
9	EPL 432W	Press-Fit Adaptor - White (Suits 50mm Pipe)
9	EPL 432G	Press-Fit Adaptor - Grey (Suits 50mm Pipe)
9	EPL 432B	Press-Fit Adaptor - Black (Suits 50mm Pipe)
10	EPL 434	Spanner For Cable Seal Assy.
11	EPL115CR	FASCIA RING - CLEAR
11	EPL115WH	FASCIA RING - WHITE
11	EPL115GY	FASCIA RING - GREY
11	EPL115BK	FASCIA RING - BLACK

## Notes:

- The EvoLV Niches and EvoLV End Caps come with two options for the connection of 20mm rigid PVC conduit. As supplied, the 90 degree conduit inlet is open and the straight inlet is blanked off. When using the straight inlet, glue in the supplied blanking plug to close the 90 degree inlet and use a 10mm drill to open the straight inlet for your cable.
- The Spanner (Item 10, for Cable Seal tightening) is not supplied as part of the kit, and must be ordered separately
- EvoLV Niches have an overall length of 245mm and allow 1100mm of cable to be wound up. The niches can be shortened by up to 40mm, with some reduction in the available cable capacity.

- The length of the EvoLV Niche can be extended if required by inserting  $\varnothing 65$ mm DWV pipe.
- When using 50mm PVC pipe with EvoLV End Caps, the minimum straight pipe length should be 270mm to enable fitment of the light and 800mm of cable. The maximum straight pipe length is 310mm or less, otherwise the spanner will not reach the cable seal.
- Cable Seal Kit (compression nut, washer, seal) is supplied fitted to the cable, and is not part of the EvoLV Niche or EvoLV End Cap.