



Orbit

AUTOMATIC POOL CLEANER OPERATING MANUAL



F

F

THE PREMIUM AUTOMATIC POOL CLEANER



WARNING

SAFETY INSTRUCTIONS:- Read Prior to Use

SUCTION HAZARD - When using the Orbit pool cleaner, keep it away from body parts when the cleaner is connected to suction.

CHILD DROWNING RISK - Adult use only. Never allow children to use the Orbit pool cleaner. Do not allow swimmers in the pool during cleaner operation. Store out of the reach of children.

PREPARING YOUR POOL

Before you assemble and install your Orbit pool cleaner, we strongly recommend you carry out the following steps to ensure your pool is ready for your cleaner to operate.

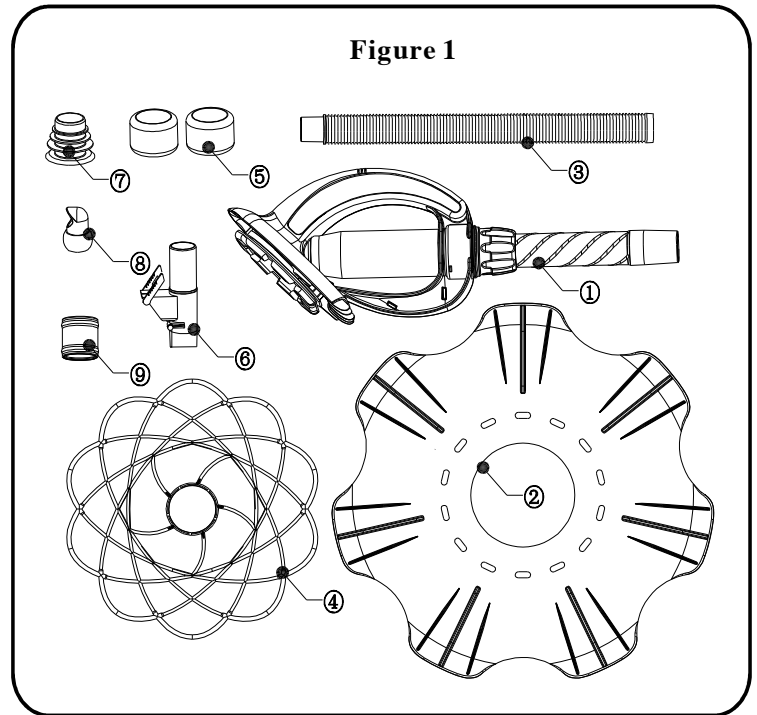
1. Make sure the chemical balance of your pool water is correct.
2. Brush your pool and let any debris settle.
3. Vacuum your pool, using a manual vacuum cleaner.
4. Clean your pool filter, skimmer basket and pump strainer basket.
5. Close the pool main drain. (If your pool has one.)
6. Adjust the pool return lines so the water flow is directed downward to ensure complete cleaning of your pool. The flow of water from the return line(s) can affect the performance of Orbit, as it can push the cleaner away from certain areas, or cause it to stay in one section of the pool. To turn the flow downward simply:
 - Loosen the lock ring.
 - Turn the eyeball, so the flow is directed downward.
 - Retighten the lock ring.
7. If necessary, replace the eyeball fitting with the Return Line Diverter supplied with your Orbit pool cleaner. To do so, simply:
 - Make sure the pool pump is switched off.
 - Unscrew the lock ring.
 - Replace the original eyeball with the Return Line Diverter.
 - Make sure the Return Line Diverter is positioned so as to direct the flow downwards.
 - Replace the lock ring and tighten.

ASSEMBLING & INSTALLING YOUR ORBIT POOL CLEANER

STEP 1: CHECK CONTENTS

Remove the cleaner body and all parts from the box and check the following components are included. Refer to Figure 1.

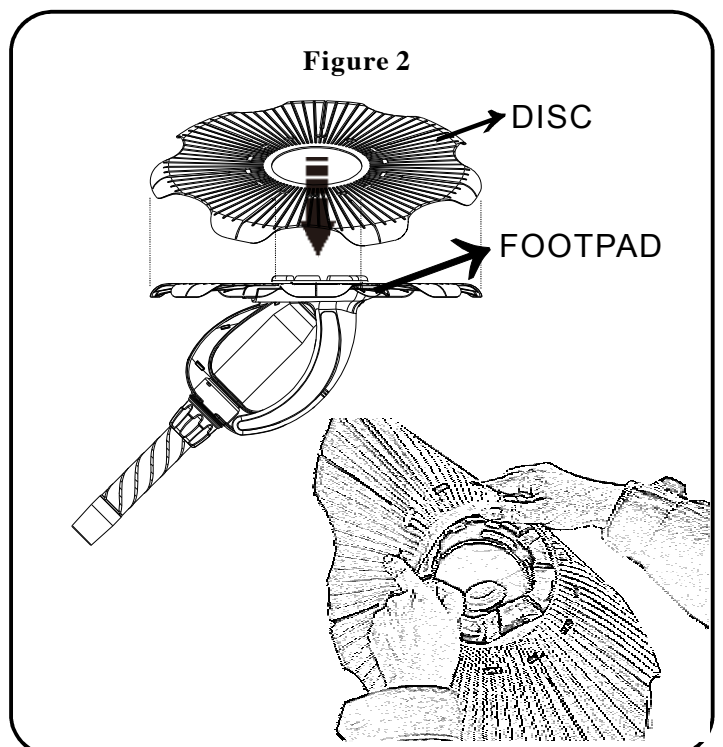
NO:	Description	Quantity of components
1	Cleaner complete with Footpad	1
2	Disc	1
3	Hose lengths*	12
4	Deflector Wheel	1
5	Hose Weight	2
6	Flow Control Valve	1
7	Control Valve Adaptor	1
8	Return Line Diverter	1
9	Hose adaptor	1
*	F20001 Orbit compete only; not included with F20002 Orbit Head only (no hose)	



STEP 2: ASSEMBLE THE ORBIT POOL CLEANER

To assemble simply fit your Orbit pool cleaner disc to the body.

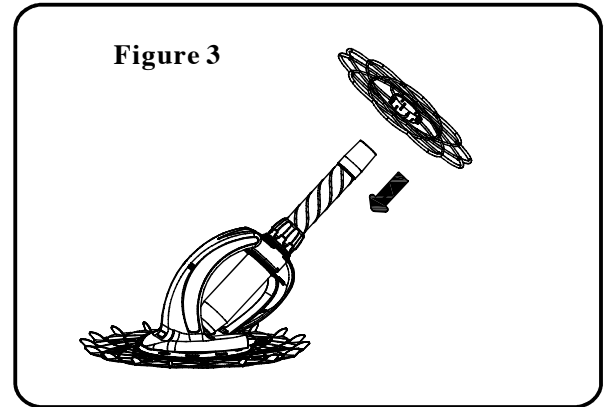
Simply stretch the disc (with the fins pointing up, towards the cleaner) over the Footpad, as shown in Fig 2. Make sure the inside rim of the Disc is located in the track that runs around the Footpad. When the Disc is correctly positioned, it should easily rotate around the Footpad.



STEP 3: USE OF THE DEFLECTOR WHEEL

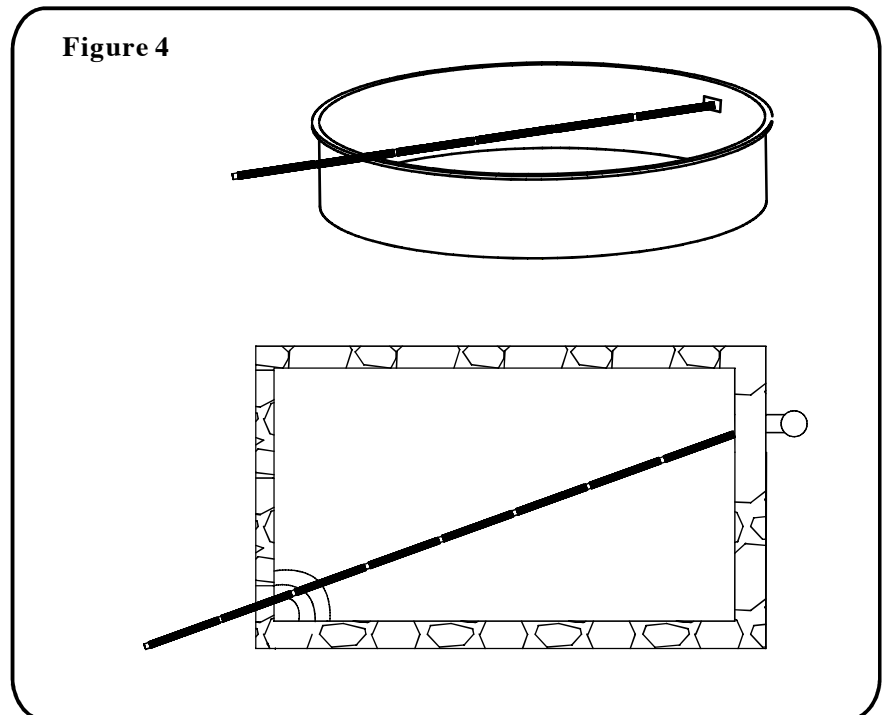
Use the Deflector Wheel if your pool has tight corners and/or a ladder. The Deflector Wheel helps guide your Orbit pool cleaner around these obstacles.

To fit the Deflector Wheel, simply push it over the Handnut, until it has engaged correctly and rotates freely. See Fig 3.

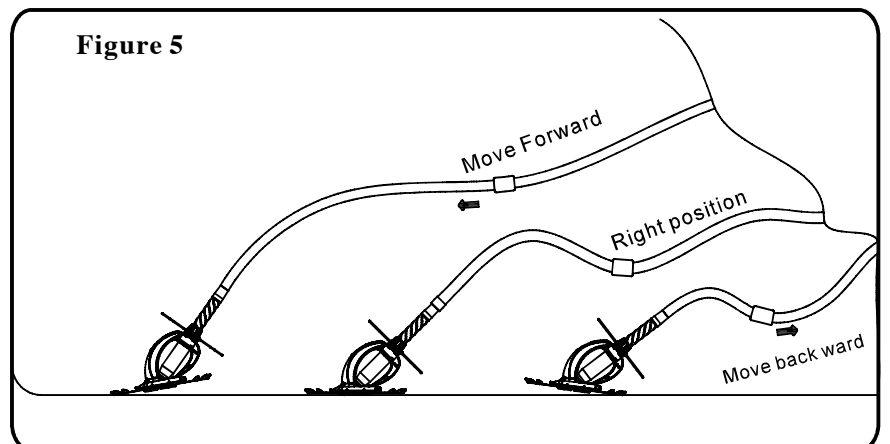


STEP 4: CONNECT HOSE & POSITION THE HOSE WEIGHT

Connect sufficient lengths of hose to cover the distance from the pool skimmer or vacuum point, to the farthest point of your pool, plus one length. See Fig 4. The Female (large) hose cuff is fitted to the Orbit pool vacuum point. The Male (small) hose cuff connects to the skimmer/vacuum point.



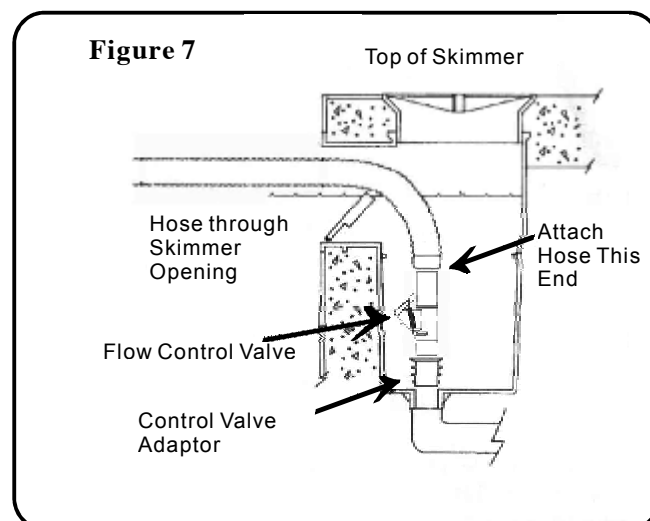
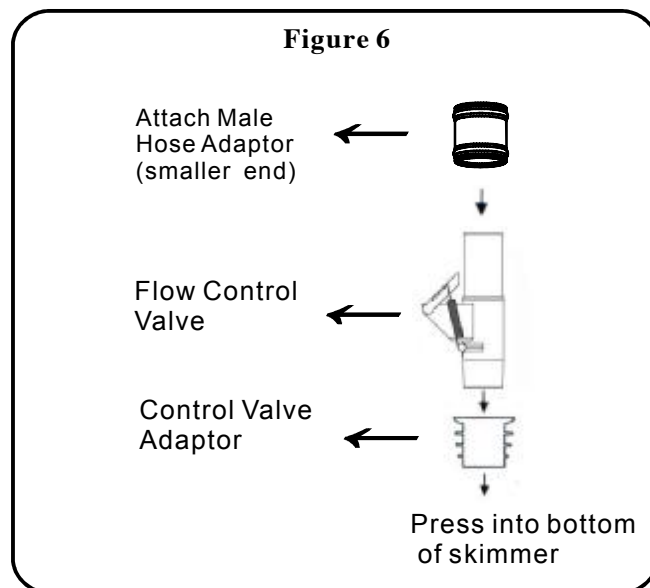
If you have a deep pool, you may need to fit the hose weight. This is to counteract excessive buoyancy created by the hose. The hose weight simply slides over the Male hose cuff and can then be positioned wherever required on the hose. Adjusting the position of the hose weight could provide better performance. See Figs 5.



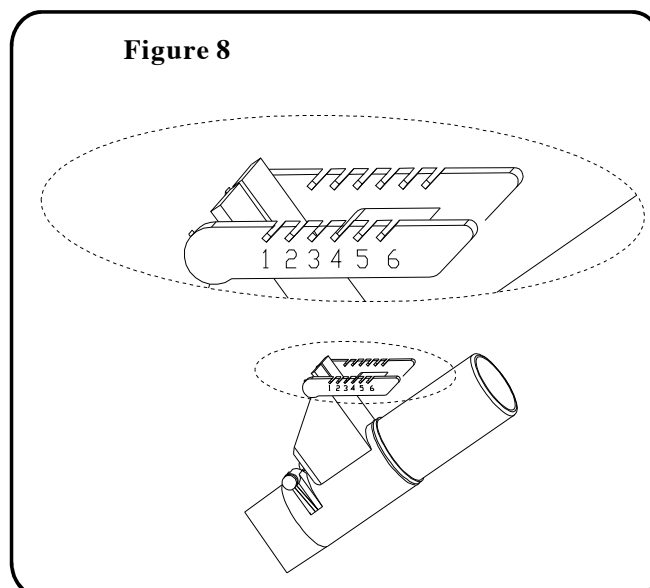
STEP 5: CONNECTING & USING THE FLOW CONTROL VALVE

The Flow Control Valve ensures your Orbit pool cleaner receives the flow required to ensure optimum performance.

- Make sure the pool pump is turned OFF.
- Expel all the air from the hose.
- Attach Flow Control Valve to the male hose (smaller end) . See Fig 6.
- Insert the Flow Control Valve into the Weir/Skimmer. If necessary, use the Control Valve Adaptor to ensure a good connection. See Fig 7.
- Turn the pool pump ON.
- Your Orbit pool cleaner will now begin automatically vacuuming your pool.



The Flow Control Valve is preset between position 3-4. This provides the ideal operating flow in most pools. But if necessary, the flow can be adjusted by using any setting from Position 1 through 6 (1 = minimum flow, to slow your cleaner down, 6 = maximum flow, your cleaner will run faster).See Fig 8.



TROUBLESHOOTING

Due to the individual characteristics of your pool, some adjustment may be required to get the best possible performance from your Orbit pool cleaner. The following tips will help you to optimize the performance of your cleaner.

Problem	Solution
Orbit does not move, or moves slowly.	<ul style="list-style-type: none"> ·Make sure the main drain is closed. ·Check the Flow Control Valve and make sure the flow to Orbit is sufficient. ·Check diaphragm for wear or damage. ·Backwash filter and empty pump strainer basket.
Orbit gets stuck at steps or in a corner.	<ul style="list-style-type: none"> ·Fit Deflector Wheel. ·Make sure total hose length is correct. ·Adjust return line eyeball fittings to use the water flow to help guide Orbit away from the steps or corner.
Orbit does not climb walls.	<ul style="list-style-type: none"> ·Adjust Flow Control Valve to increase flow to Orbit. ·Check balance of cleaner to make sure hose weights are in the correct position. <p>NOTE: Orbit's wall climbing ability may be limited in some pools.</p>
Orbit moves in a repetitive, non-random pattern.	<ul style="list-style-type: none"> ·Make sure return line fittings are directed downwards. ·Check that hose weight position is correct. ·Make sure total hose length is correct.
Orbit stays in only one end of the pool.	<ul style="list-style-type: none"> ·Check the return line flow and redirect if necessary. ·Check the total hose length and add more hose if necessary. ·Check that hose weight position is correct.
Air bubbles can be seen in the flow from the return line.	<ul style="list-style-type: none"> ·Check the hose to ensure there are no leaks. ·Check the connection of the flow Control Valve, to make sure it is underwater at all times. ·Check the pump basket lid is fitted correctly, is not loose or cracked and that no o-rings are worn or missing. If necessary, contact your pool professional for assistance.
Orbit falls on its side.	<ul style="list-style-type: none"> ·Make sure the Outer Extension Pipe swivels freely.
Hose won't fit Flow Control Valve	<ul style="list-style-type: none"> ·Fit Hose Adaptor to Flow Control valve

ROUTINE MAINTENANCE

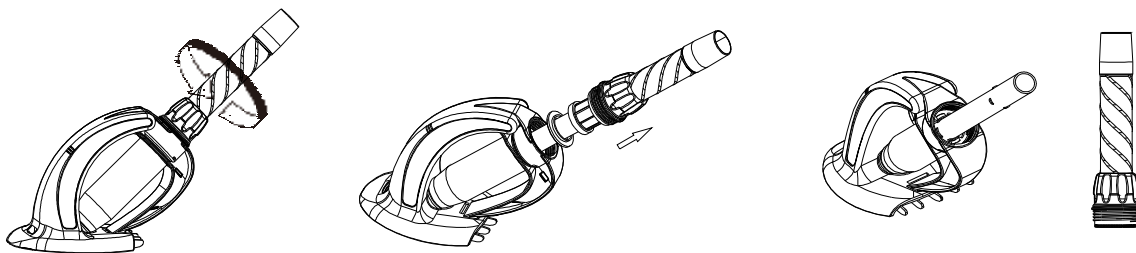
To maintain the performance of your Orbit pool cleaner:

- When removed from the pool, make sure the hose is stoved straight. **Never coil the hose** as this may cause distortion which may adversely effect the Orbit.
 - Remove the Orbit (including hose) before chemical treatment. Wait a minimum of 4 hours after super chlorination (shock treatment) of your pool before re-installing the Orbit.
 - Clean the filter, skimmer basket and pump basket regularly.
 - When not in use, keep the Orbit disc flat, to avoid risk of warping.
 - Periodically inspect your Orbit for signs of wear. If necessary, replace any worn parts.
- NOTE: Due to the harsh conditions in which your cleaner operates, it's colour may fade and discolor over time

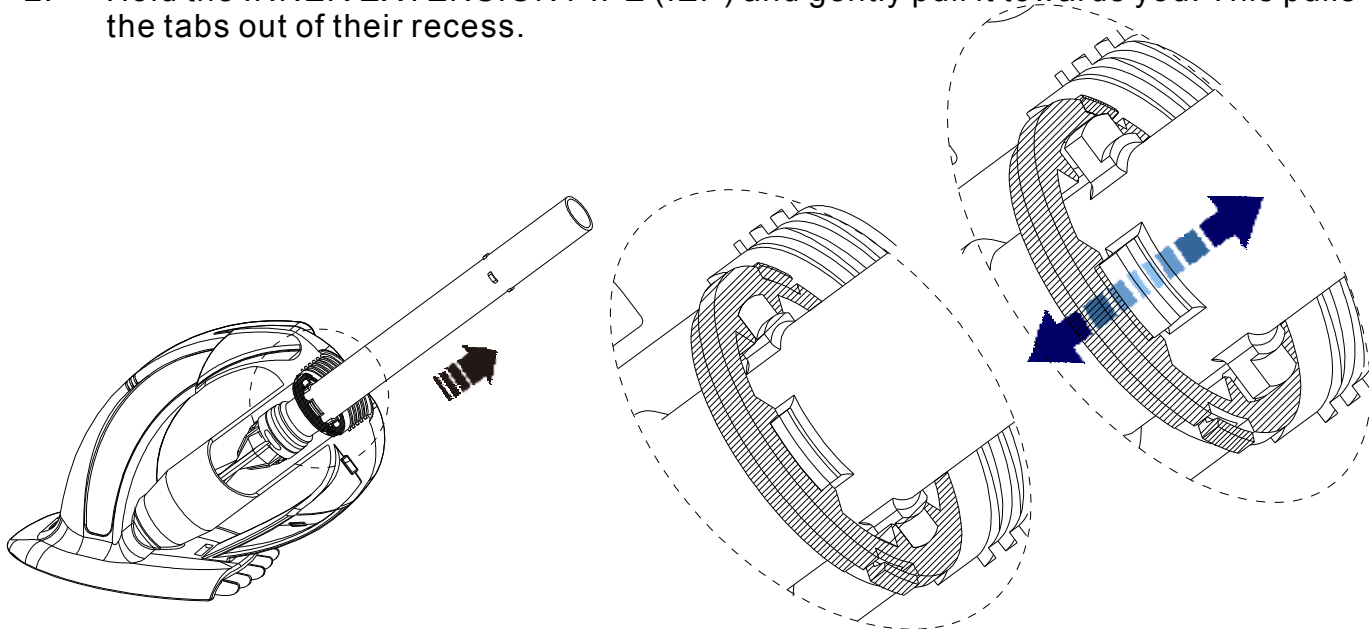
REPLACING THE DIAPHRAGM

The diaphragm of your Orbit pool cleaner operates at the rate of approximately 360 beats per minute. If your Orbit operates daily for 8 hours, the diaphragm will open and close over 60 million times in a year! The design has been perfected over many years and, properly cared for, the diaphragm will last for several seasons. In the event that it does become worn or damaged and needs to be replaced, simply follow these easy steps:

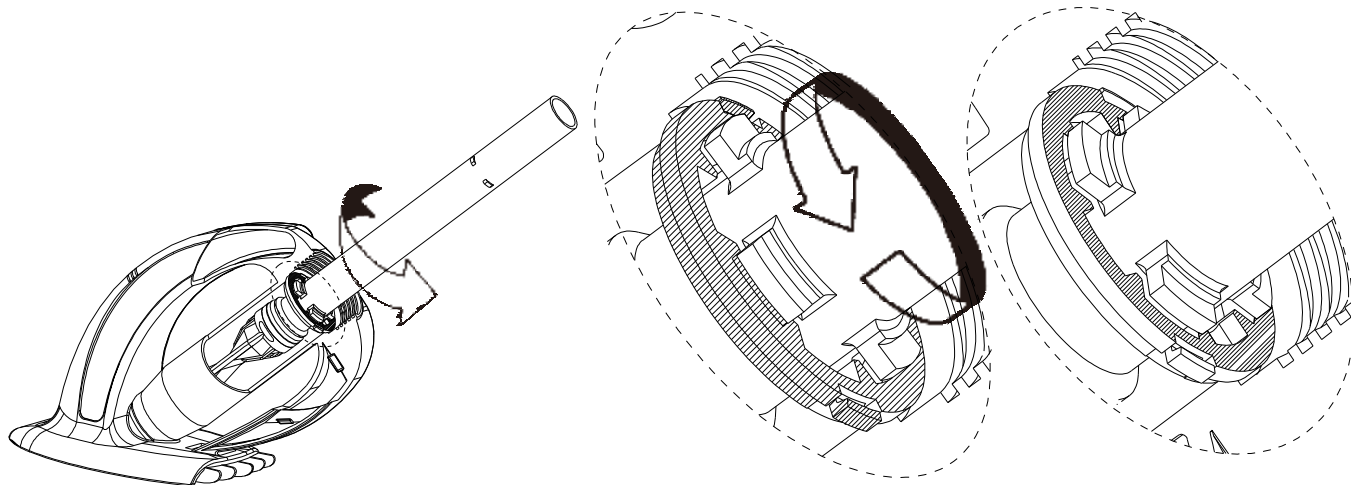
1. Unscrew the HANDNUT and remove it, together with the OUTER EXTENSION PIPE and the THRUST WASHER. Place these items to one side.



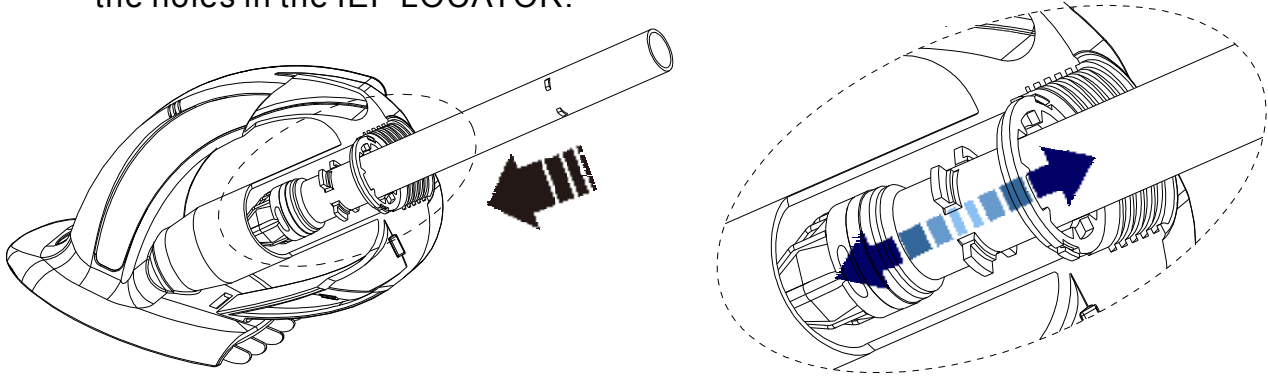
2. Hold the INNER EXTENSION PIPE (IEP) and gently pull it towards you. This pulls the tabs out of their recess.



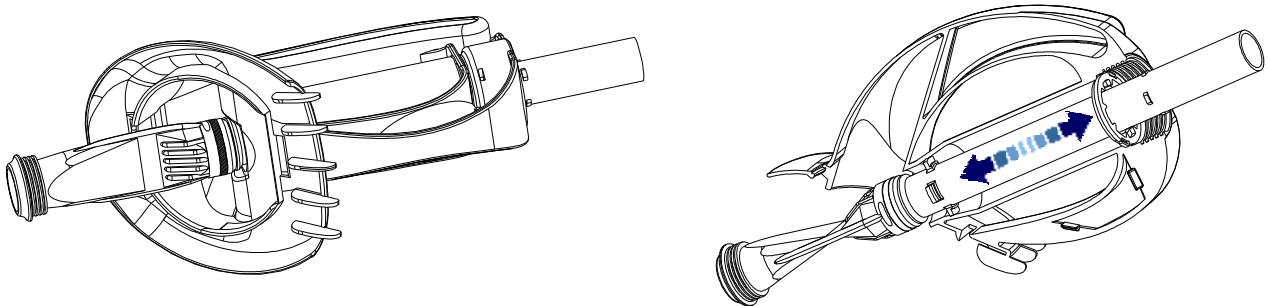
3. Turn the INNER EXTENSION PIPE so the tabs line up with the holes in the IEP LOCATOR. **Do not remove the INNER EXTENSION PIPE from the BODY**



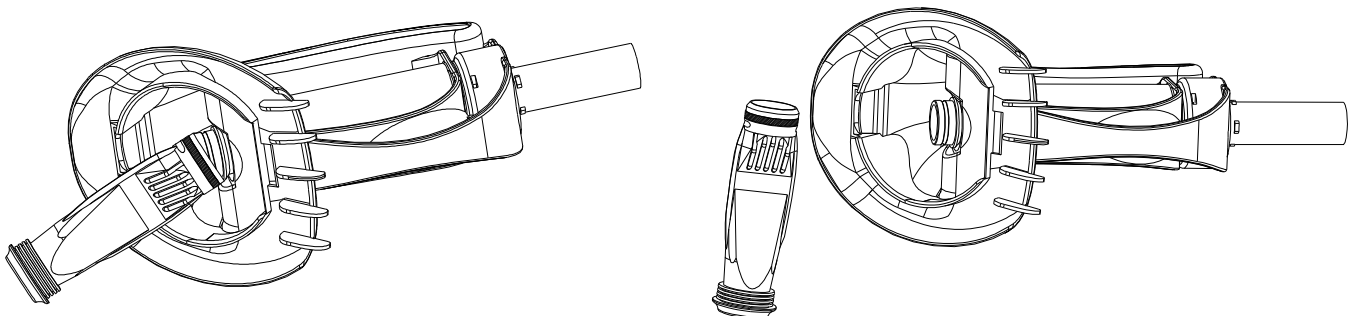
4. Push the INNER EXTENSION PIPE away from you, so the tabs go through the holes in the IEP LOCATOR.



5. Grasp the other end of the DIAPHRAGM (the end furthest away from the INNER EXTENSION PIPE) and pull it away from the Orbit BODY. The DIAPHRAGM will fall clear of the BODY.



6. Twist the DIAPHRAGM, removing it from the INNER EXTENSION PIPE.

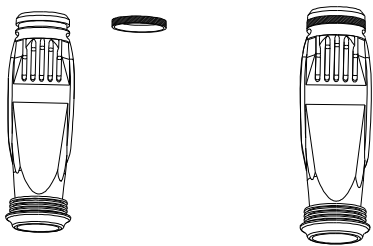


7. Remove the RETAINING RING from the DIAPHRAGM. Discard the used diaphragm.

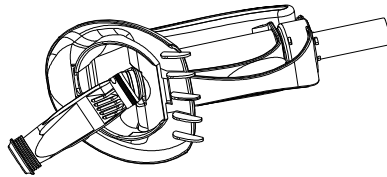


To install a new diaphragm, simply reverse the process:

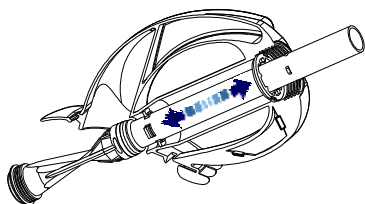
- (a) Fit the RETAINING RING onto the new DIAPHRAGM.



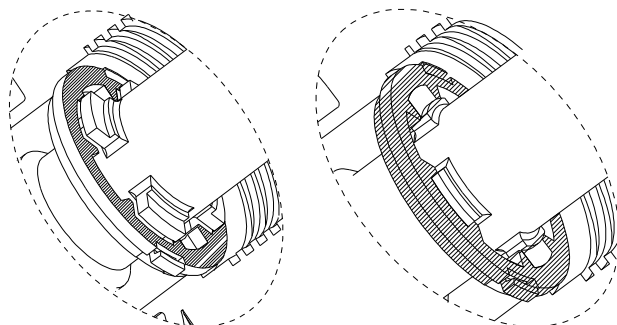
- (b) Push the DIAPHRAGM onto the INNER EXTENSION PIPE. Make sure it is correctly located and fully engaged.



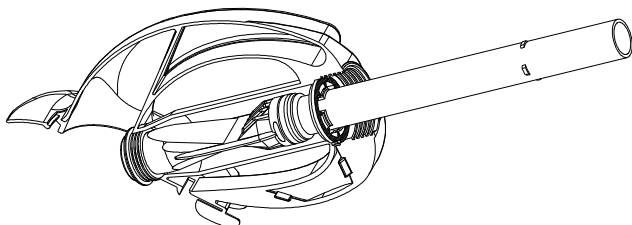
- (c) Pull the INNER EXTENSION PIPE up through the BODY, positioning the tabs so they can be pulled through the holes in the IEP LOCATOR.



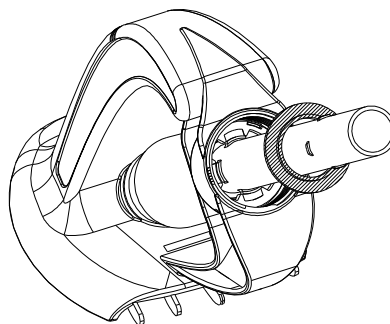
- (d) Gentle turn the INNER EXTENSION PIPE so the tabs are aligned with the recesses in the IEP LOCATOR. Release the INNER EXTENSION PIPE.



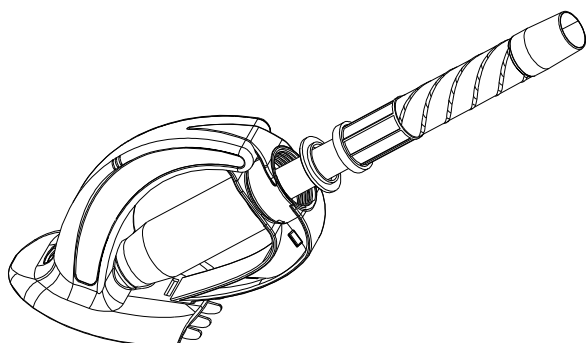
- (e) Check that the DIAPHRAGM is correctly located. If it has become twisted during installation, simply untwist by slightly turning the open end of the DIAPHRAGM.



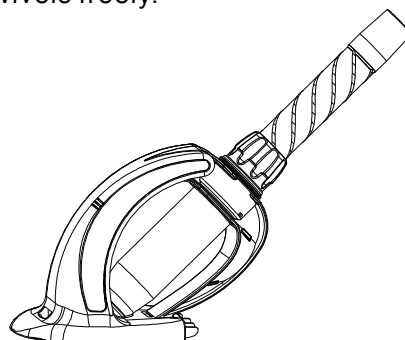
- (f) Slide the THRUST WASHER over the INNER EXTENSION PIPE. The flat side (widest diameter) of the THRUST WASHER should face down.



- (g) Place the OUTER EXTENSION PIPE over the INNER EXTENSION PIPE.

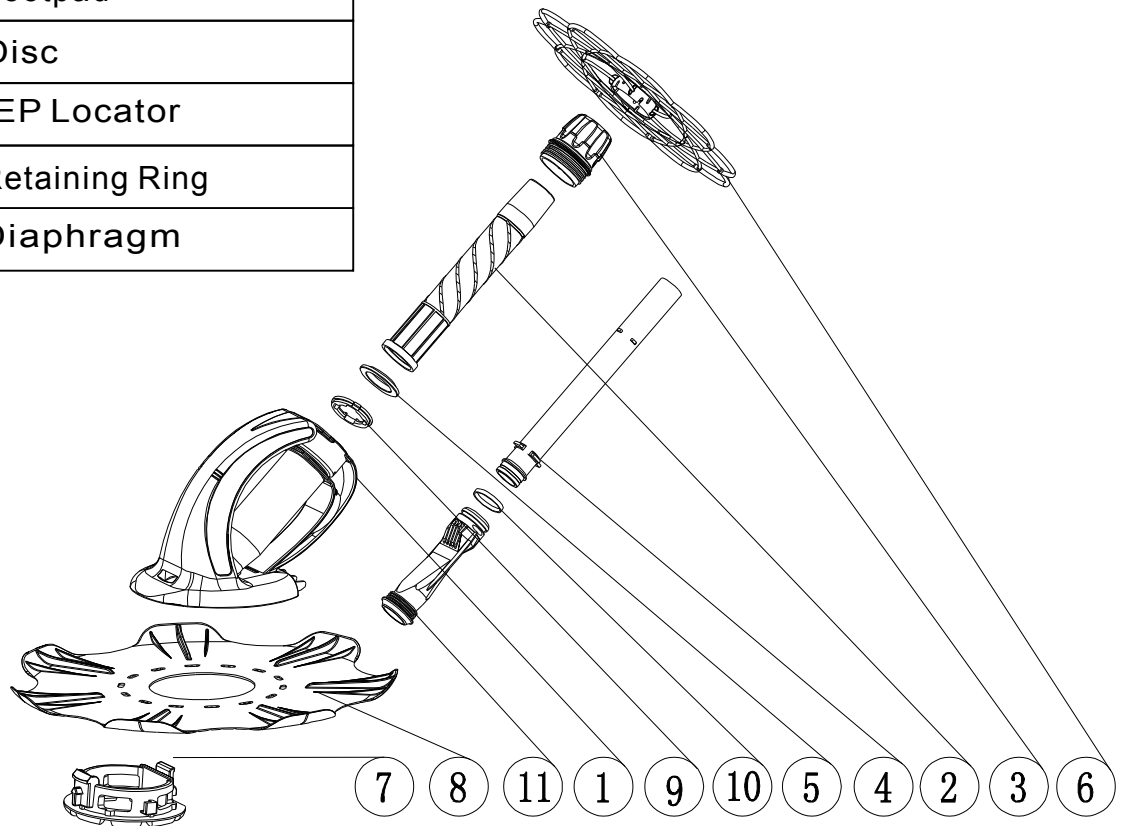


- (h) Screw the HANDNUT into place, to lock the assembly. **Be careful not to over-tighten the Handnut.**
(i) Check that the OUTER EXTENSION PIPE swivels freely.



PARTS DIAGRAM

ITEM NO.	DESCRIPTION
1	Main Body
2	Outer Extension Pipe
3	Handnut
4	Inner Extension Pipe
5	Thrust Washer
6	Deflector Wheel
7	Footpad
8	Disc
9	IEP Locator
10	Retaining Ring
11	Diaphragm



Red Leopard LLC
 2459 N. Horseback Ave.
 Pine Ridge
 Florida 34665
 USA

Email: sales@red-leopard.net
www.red-leopard.net



LIMITED WARRANTY

The Orbit pool cleaner was carefully inspected before shipment. If after opening the pack, any part proves to be missing or defective, please notify us immediately. Red Leopard LLC (“Red Leopard”) warrants this Orbit pool cleaner against manufacturing defects for a period of one year. This limited warranty is effective from the date of purchase.

This limited warranty is for the replacement of defective parts only. Any labor charges including, but not limited to, charges incurred for the installation or fitting of the replacement parts by the dealer.

The following are excluded from this limited warranty:

1. Damage to, or malfunction of, the Orbit pool cleaner as a result of improper water chemistry, including but not limited to, excess chlorination.
2. Discoloration of the Orbit pool cleaner. Exposure to ultraviolet light rays and pool chemicals can cause discoloration of the Orbit pool cleaner.
3. Pattern removal, abrasion or marking on vinyl liners.
4. Damage to vinyl liners where the age, care, maintenance and improper installation of the vinyl liner may have caused it to become wrinkled or brittle. Use of the Orbit pool cleaner in such circumstances is at the pool owner’s risk.

This limited warranty shall be void if the customer modifies the Orbit pool cleaner in anyway, or uses parts other than genuine Red Leopard parts.

Only the original purchaser is entitled to make a warranty claim.

This limited warranty gives the customer specific legal rights and accordingly, some of the listed conditions may not apply to customers in certain states.

These warranties are in lieu of any other warranties, expressed or implied, including warranties of fitness and merchantability. Any such implied warranty imposed by state consumer law is limited to one year from date of purchase.

Red Leopard assumes no responsibility for any warranties or representations made by other individuals or businesses, beyond the express terms contained in this limited warranty.

This Orbit pool cleaner is not warranted or guaranteed outside of the United States and Canada.

To register your Orbit pool cleaner, please go to www.red-leopard.net