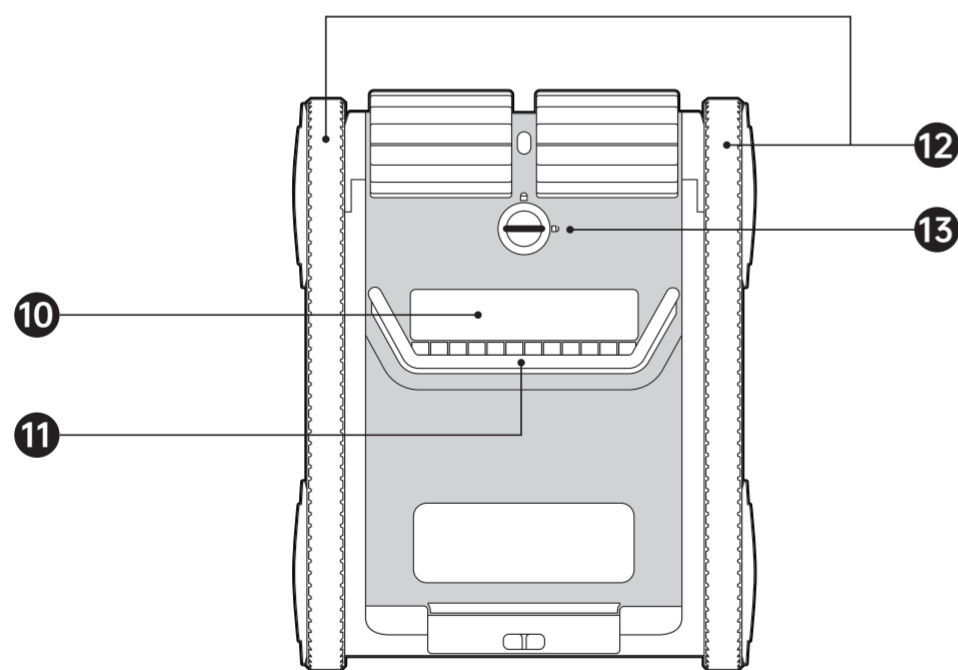
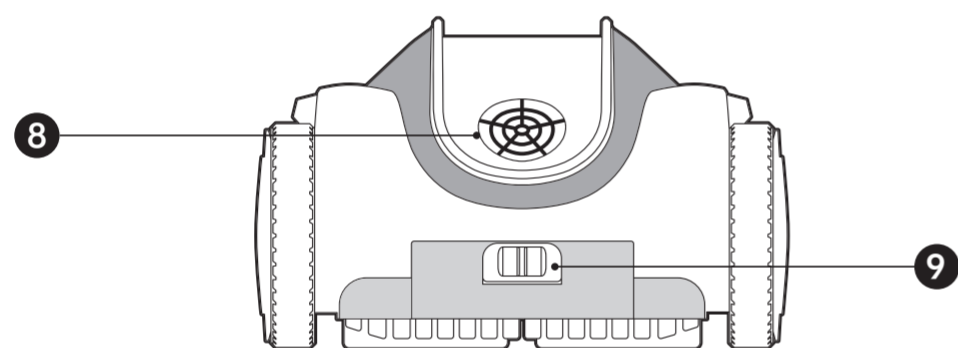
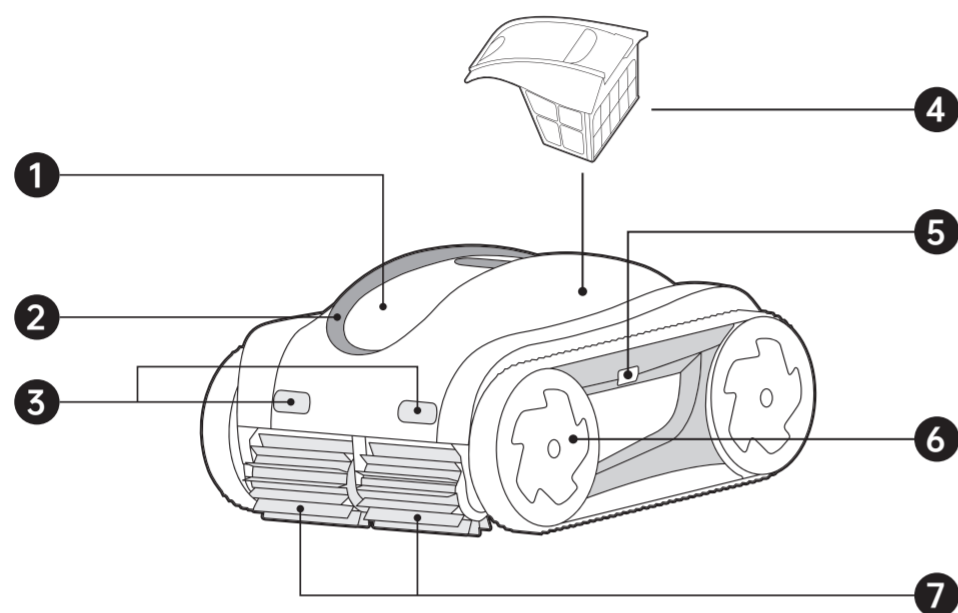
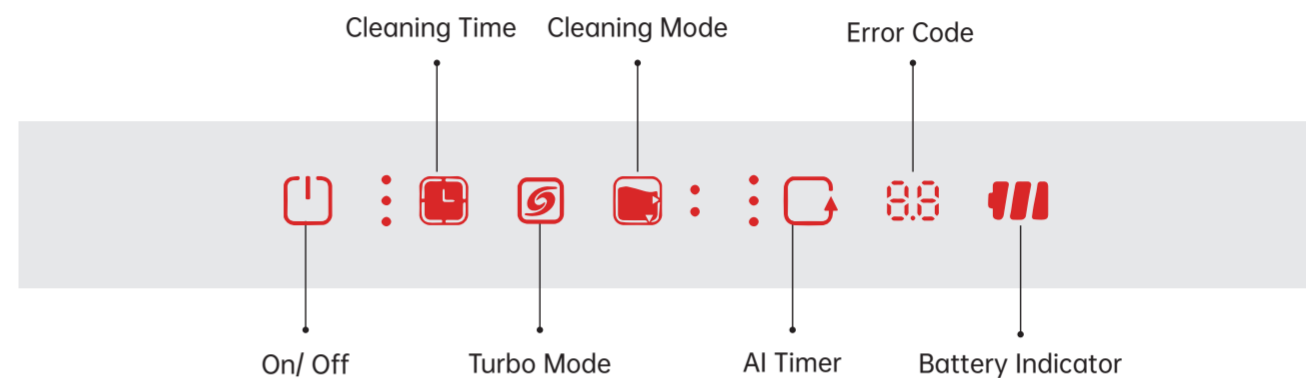


### 1. Product Overview



- 1 Control Panel
- 2 Handle
- 3 Front Infrared Sensor
- 4 Filter Basket
- 5 Side Infrared Sensor
- 6 Water Sensor
- 7 Brush
- 8 Water Outlet
- 9 Charging Port
- 10 Suction Port
- 11 Scraper
- 12 Track
- 13 Power Switch

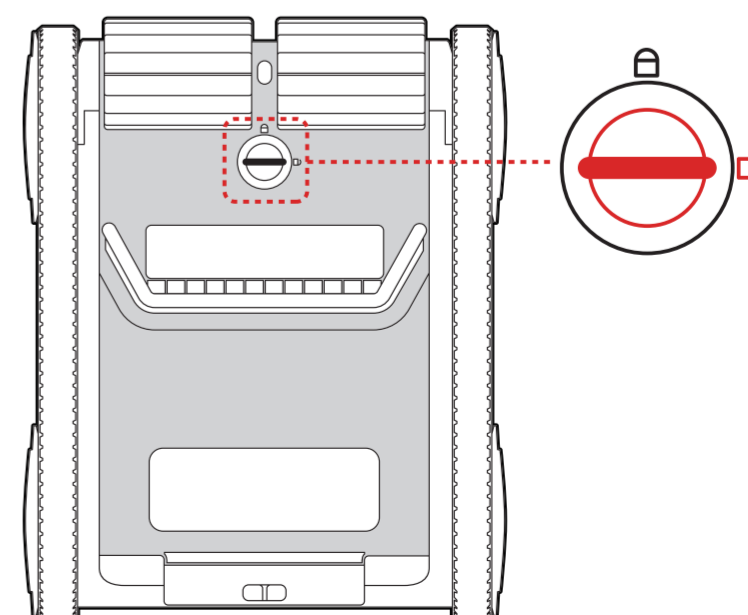
### 2. Control Panel



Control Panel	Meaning	Operation
On/Off	Wake/Sleep • Confirm	Hold 3 s to Power On/Off; Tap to Confirm
Time	1 h / 1.5 h / 2 h / Max Run	1/2/3 LEDs or Off = Select Cycle Length
Turbo	High-Power Boost	LED On = Turbo; Off = Standard
Mode	Floor Only / All Surfaces	Single/Double LED = Switch Cleaning Mode
AI Timer	24 h / 48 h / 72 h / Off	LED Count = Scheduled Clean Interval
Error	E1-E6 Fault Codes	See Troubleshooting
Battery	20-100 % / < 20 %	Green/Red LED = Charge Level

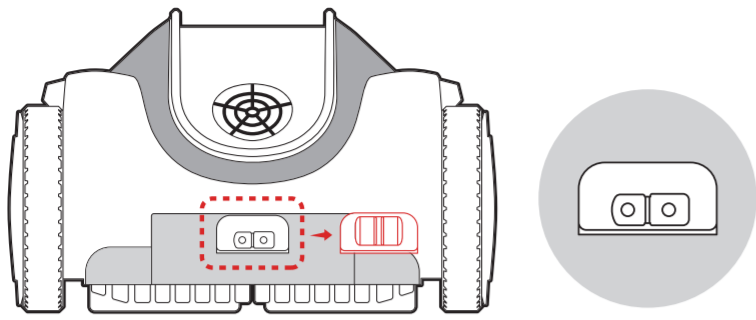
### 3. Power On & Charge

**Power On**  
Flip the bottom switch to **ON**.



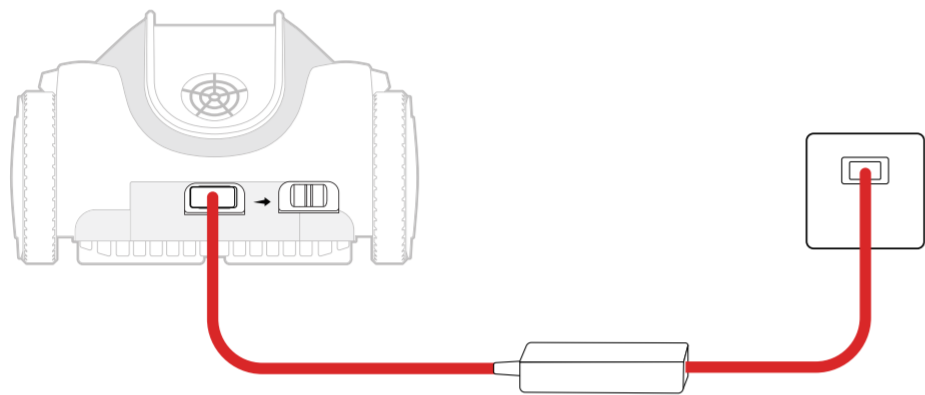
## Charge

1. Open the charging port cover.

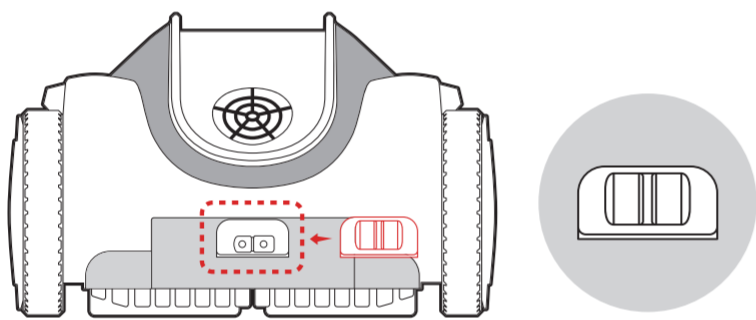


2. Plug in the supplied charger to 100–240 VAC.

3. Three green LEDs solid = fully charged.




4. Disconnect and close the cover.



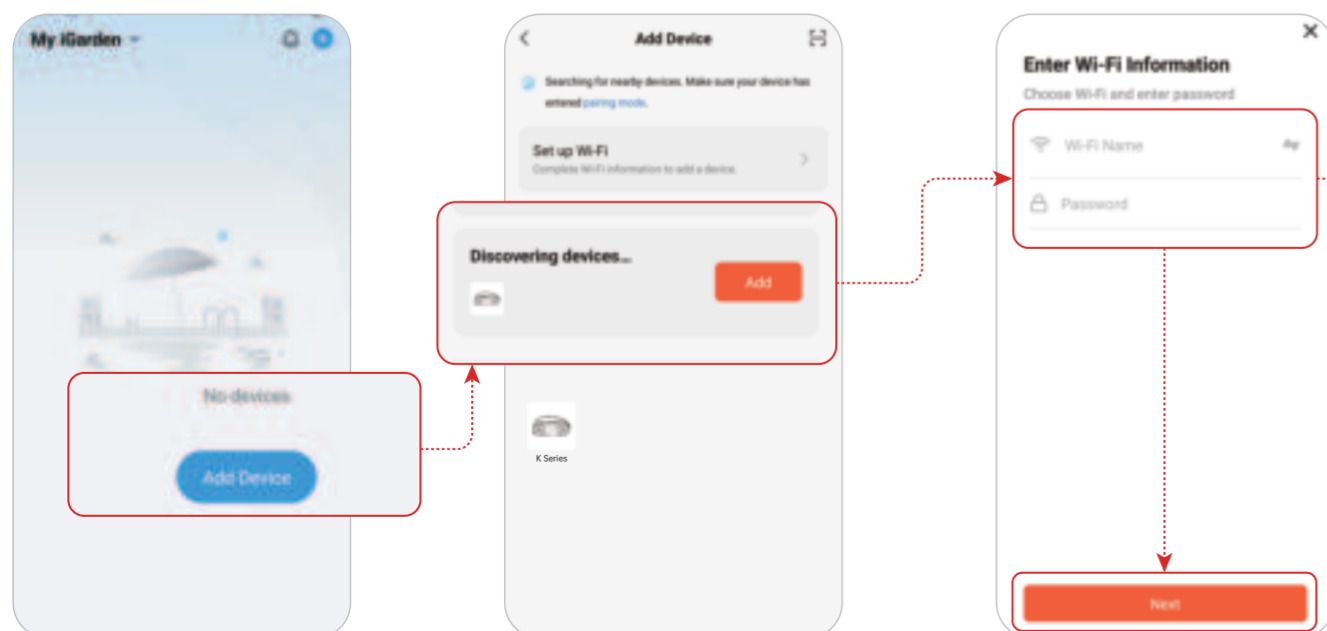
## 4. App Pairing

1. Enable Bluetooth & 2.4 GHz Wi-Fi on your phone.

2. Hold <  :> for 3 s until you hear a beep and the LED flashes.

3. Launch the iGarden Robotics app → Add Device → Follow prompts.

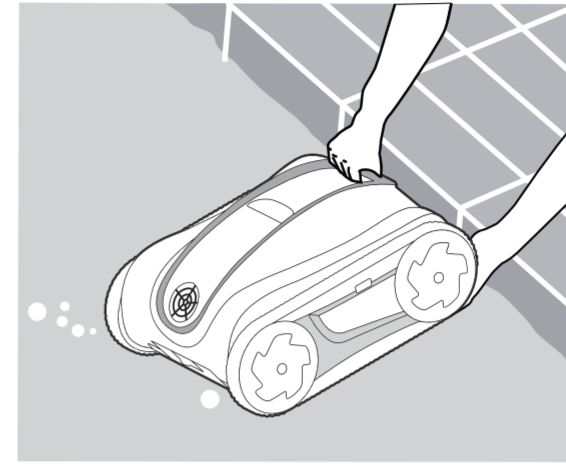
4. Set cycle, mode, turbo & schedule right from the app.



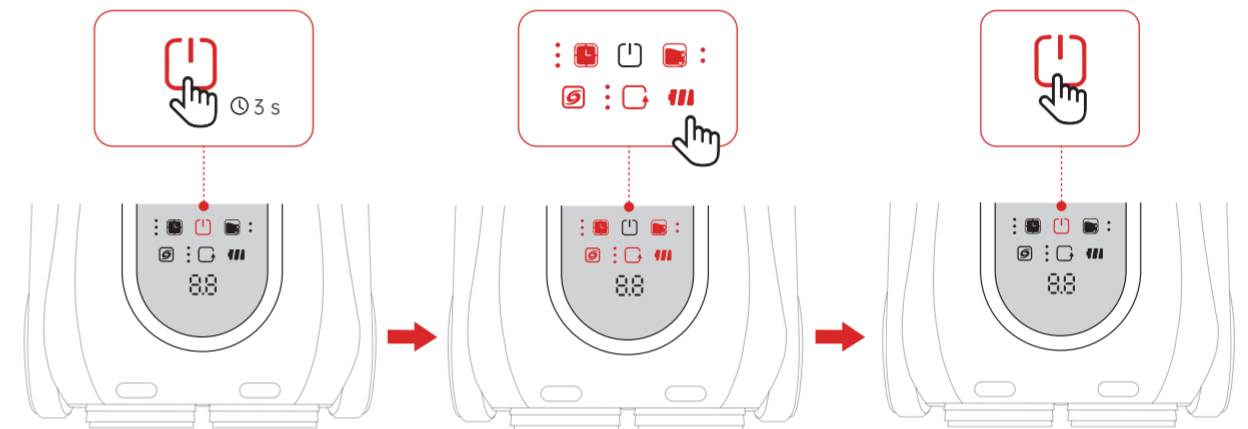
## 5. Deploy & Start

1. Place the cleaner in water within 3 minutes of power-on.

2. Gently rotate to release trapped air.



3. Go: Press and hold ON/OFF for 3 s. LEDs flash—set options—press again to start.



## Warnings

- Do not swim during operation.
- Charge only with the supplied adapter & battery.

## Support

✉ support@igarden.ai

🌐 www.igarden.ai

See the full guide inside the box for detailed instructions.

