



atom

A technical diagram of a circular fibreglass pool cover. The cover has a central circular area with a grid of small circles. Surrounding this is a ring of larger, teardrop-shaped openings. An upward-pointing arrow is located in the center of the top ring of openings.

FIBREGLASS POOLS

EMF

INSTALLATION & OWNER'S MANUAL

CONTENTS

READ THIS FIRST	3
TOOLS REQUIRED	4
PRODUCT SUPPORT AND INFORMATION	4
INCLUDED PARTS	5
FINISHED INSTALLATION	6
INSTALLATION PROCEDURE	7
LIGHT REMOVAL	11
LIGHT ASSEMBLY	12
CONNECTIONS	14

NOTICE



HORIZONTAL MOUNT ONLY
NOT INTENDED FOR OPERATION OUT OF WATER

READ THIS FIRST

Congratulations on your purchase of the **ATOM** underwater lighting system. All **ATOM** lights are manufactured by Spa Electrics in Australia from only the highest quality materials. For more information about Spa Electrics & our products, please visit www.spaelectrics.com.au

BEFORE YOU START:

- **ATOM** cables can be shortened to suit individual installation requirements. Spa Electrics recommends all cabling is protected by conduit and that a junction box (or similar) is incorporated into pool cabling design to avoid siphoning.
- Ensure that the lighting system is installed by a qualified person (e.g. registered pool builder and/or licensed electrician), in accordance with the most current edition and/or amendment of current AS/NZS 3000 Wiring Rules.
- For safe and proper installation, ensure that only those parts supplied with the system are used.
- Maximum installation depth for the **ATOM** light is 400mm (16") below water line (to top of light).
- All lights should be mounted in a location that is easily accessible without the need for entering or lowering the pool water.
- 700mm (28") cable has been supplied pre-assembled within niche assembly, and must remain stored within the Niche to ensure the light can be accessed above the waterline. (Maximum cable within niche - 1000mm (40") (up to 1.0mm²). See Page 16 for more information).

CLEANING

- Only use warm water and a soft brush or cloth to clean **ATOM** lights. **DO NOT** use detergents or spirits as this can damage the light and void your warranty.

USE OF PRODUCT

- **DO NOT** operate light unless completely submerged in water.
- Operating the light for at least 30 minutes every week is advised (all year round).
- **ATOM** lights are suited for both domestic and commercial installations and can be operated continuously (24/7) if required.
- Temperature range for installation, operation and servicing: +5°C ~ +40°C (+41°F ~ +104°F)

IMPORTANT NOTE



It is recommended that the ATOM lighting range is operated using a Spa Electrics LV25-12 or LV50-12 transformer.

- DO NOT use electronic or switch-mode power supplies with ATOM lights. These power supplies will damage the light and void your product warranty.
- Pool chemicals & PH levels: Due to corrosive nature of unbalanced pool chemicals, Spa Electrics strongly recommend that your pool water is balanced prior to installing your pool lights or any plastic or stainless steel components, and tested weekly to maintain these levels. PH levels should be maintained between 7.2 - 7.6 at all times to ensure the longevity of these components.
 - » Failure to do so can result in chemical damage to the light housing and pool fittings, including stainless steel components.
 - » Please note: Lights or components found to have excessive chemical damage will not be covered under our manufacturer's warranty policy.
- This light containers no user-serviceable parts; opening the light will void the product warranty.

TOOLS REQUIRED

- ✓ Hole Saw - Ø64mm
- ✓ Adjustable spanner ("Shifter")
- ✓ Silicon & caulking gun
- ✓ Flat-blade screw driver (for light-head removal)

IMPORTANT NOTES



- The use of power tools for product ssembly is **NOT** recommended as these devices can cause faults and damage to light components.
- The enclosed images are for illustrative purposes only. Appearances of parts and assemblies may vary from the enclosed illustrations.
- Please contact your reseller if you have any questions regarding the correct installation of this product.

PRODUCT SUPPORT & INFORMATION

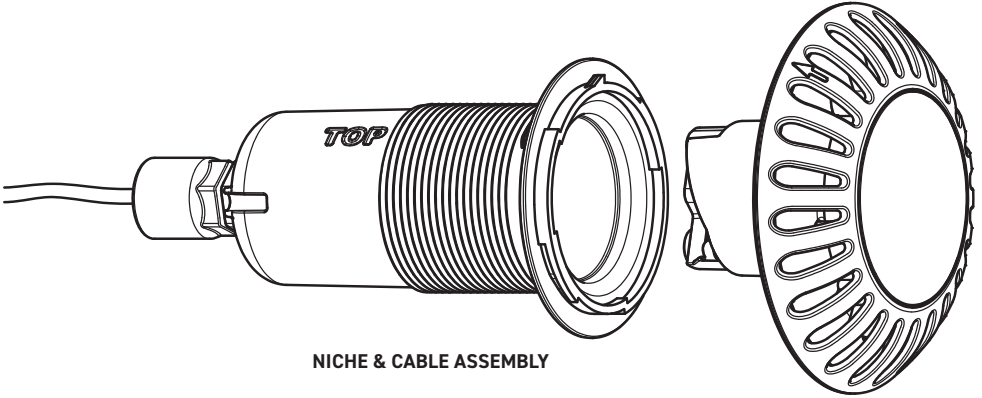
Phone: +61 03 9793 2299 (business hours)

Email: info@spaelectrics.com.au (SALES enquiries)

Email: tech@spaelectrics.com.au (TECHNICAL support enquiries)

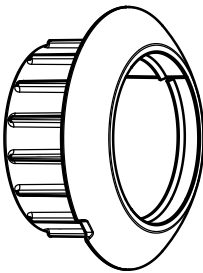
Web: www.spaelectrics.com.au

INCLUDED PARTS

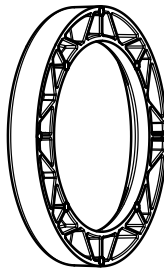


NICHE & CABLE ASSEMBLY

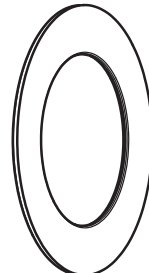
LIGHT ASSEMBLY



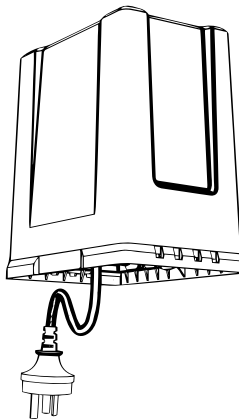
CONICAL NUT



CONICAL WASHER

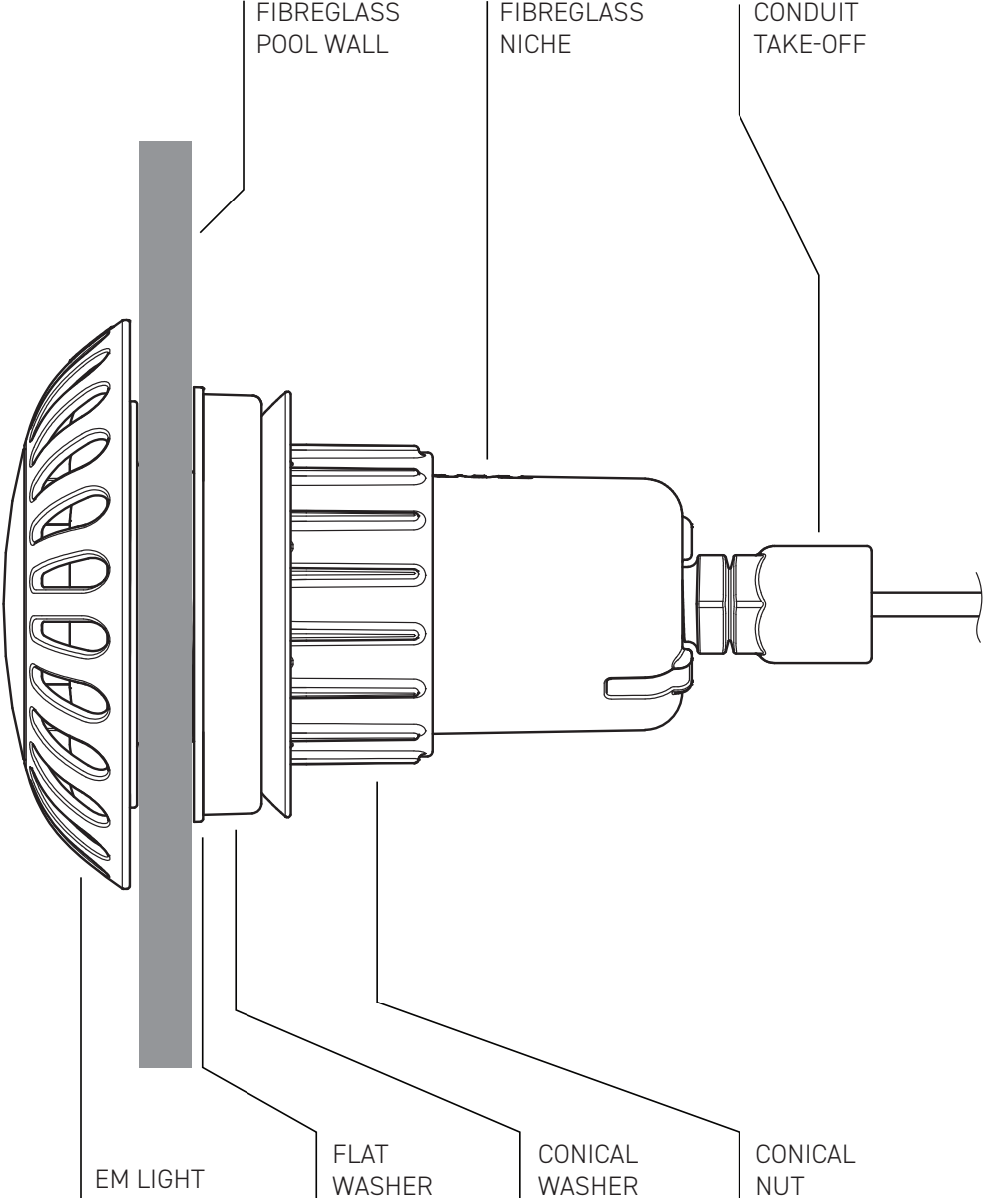


FLAT WASHER



LV25-12 / LV50-12 DUAL / LV100Q-12
TRANSFORMERS
(INCLUDED IN SINGLE / DUAL / TRI OR QUAD LIGHT KITS)

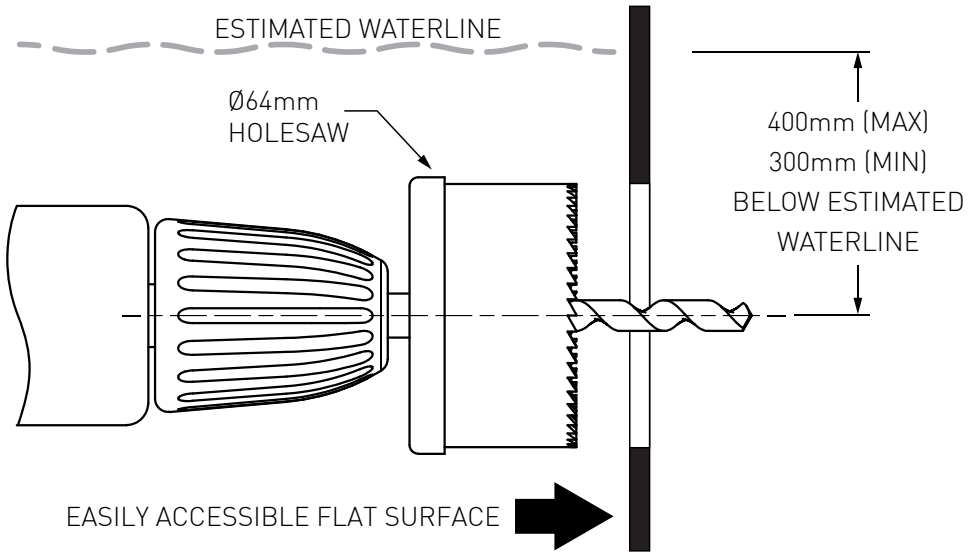
FINISHED INSTALLATION



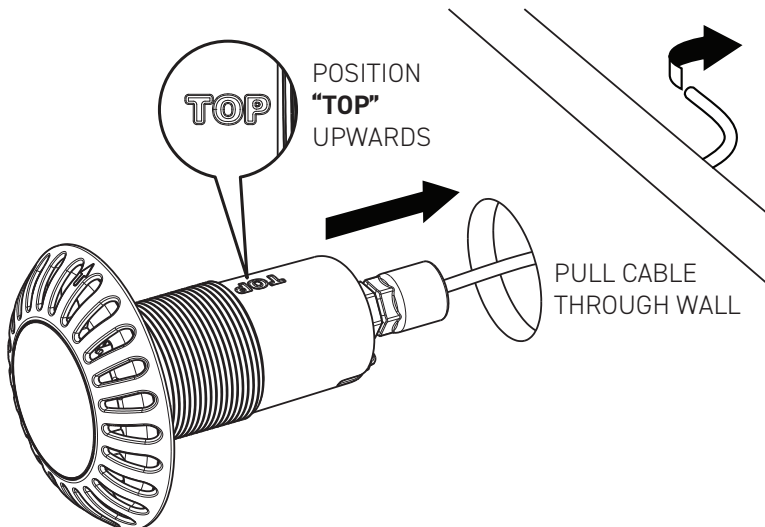
INSTALLATION PROCEDURE

1 DRILL HOLE THROUGH POOL WALL *

* MAY NOT BE REQUIRED IF PRE-PUNCHED / DRILLED HOLES AVAILABLE FOR LIGHT MOUNTING



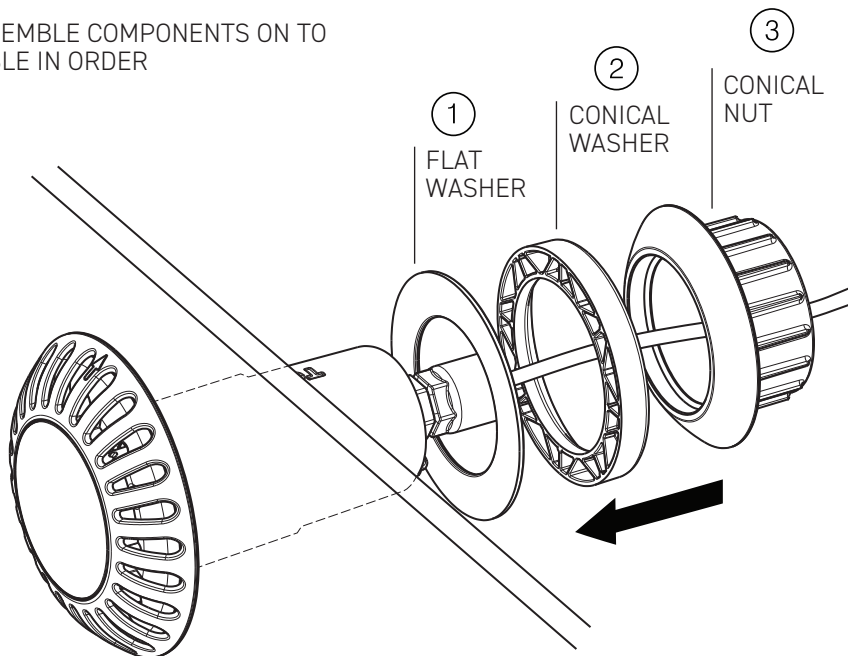
2 ORIENTATION OF NICHE "TOP"



3

ASSEMBLE WASHERS AND NUT

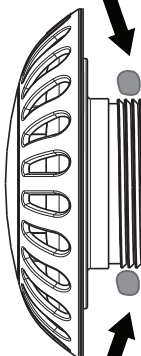
ASSEMBLE COMPONENTS ON TO
CABLE IN ORDER



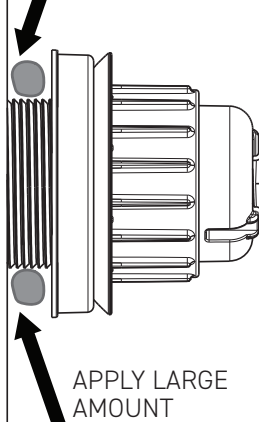
4

APPLY SILICONE

APPLY SMALL
AMOUNT



APPLY LARGE
AMOUNT



APPLY NEUTRAL CURING
SILICONE TO BOTH SIDES OF
POOL WALL

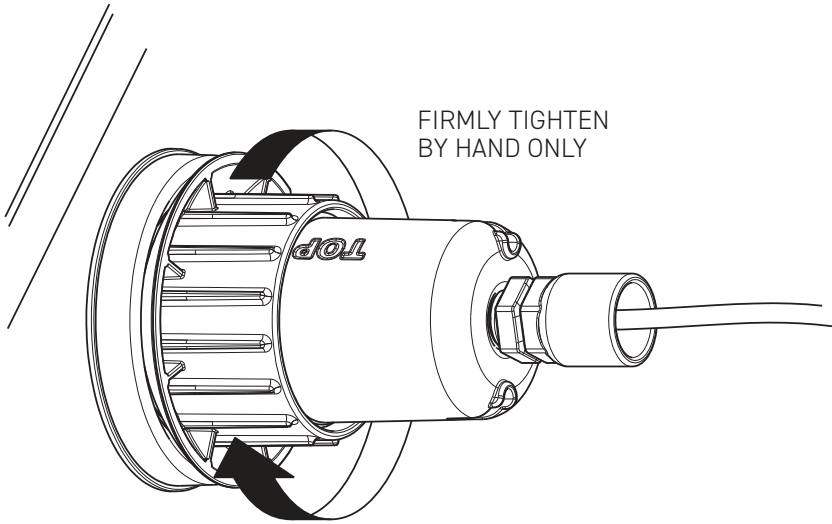
WARNING



DO NOT USE ACID CURING
SILICONES. DO NOT USE
SIKAFLEX ADHESIVE.

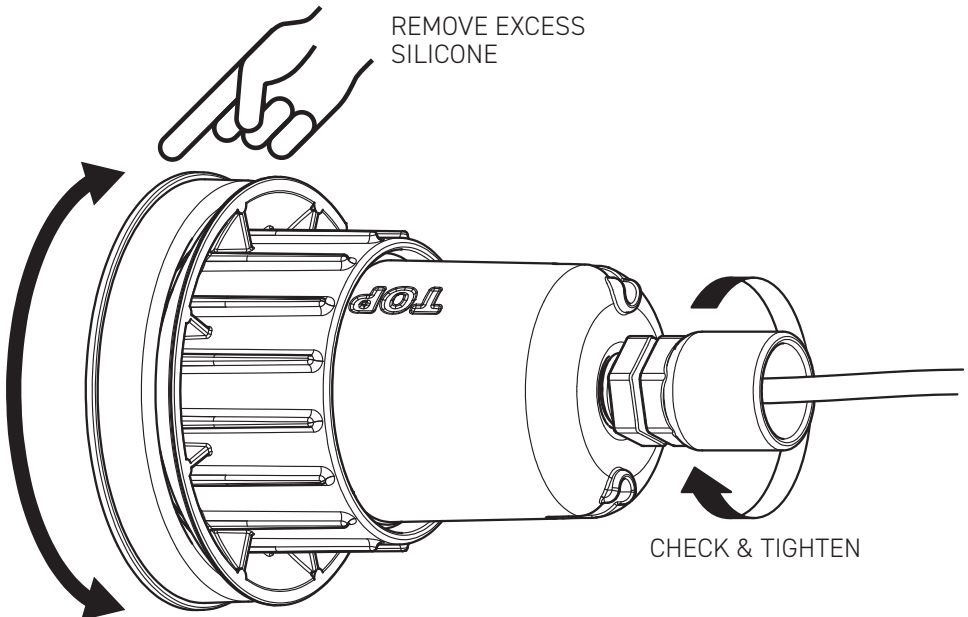
5

TIGHTEN NUT



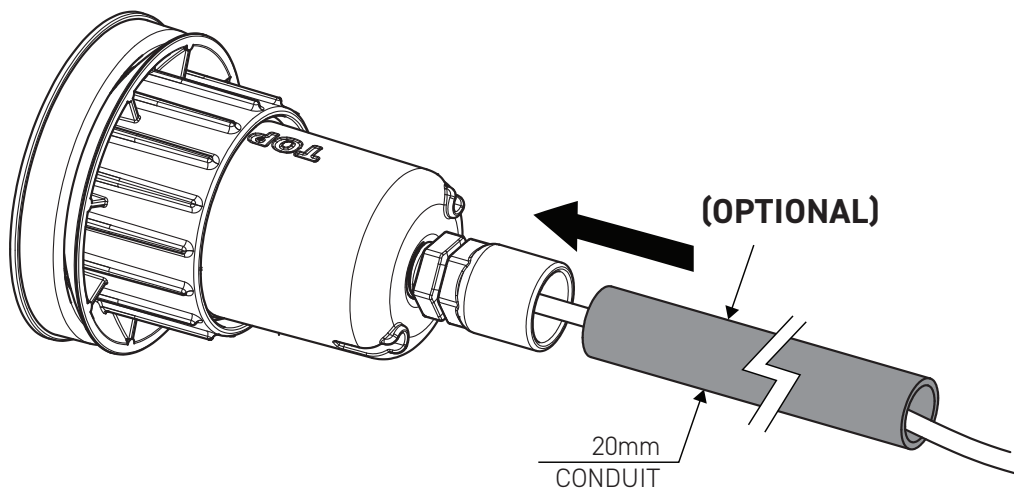
6

ADDITIONAL CHECKS



7

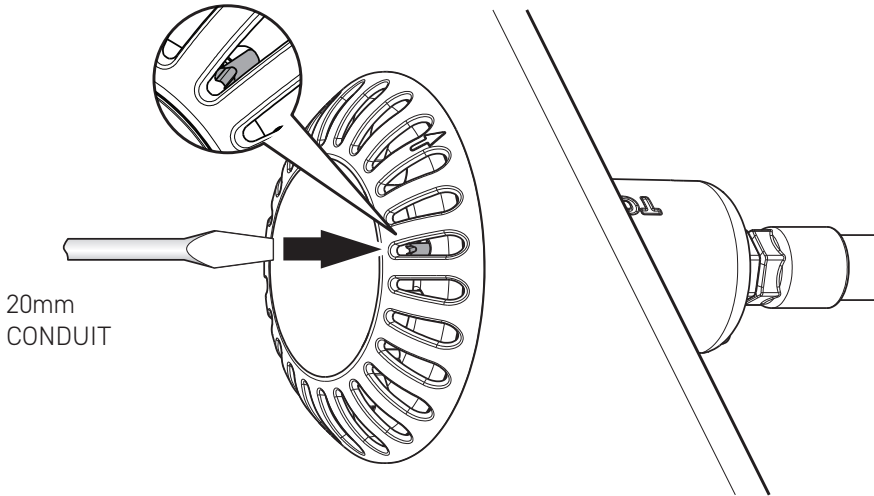
ATTACH CONDUIT (OPTIONAL)



LIGHT REMOVAL

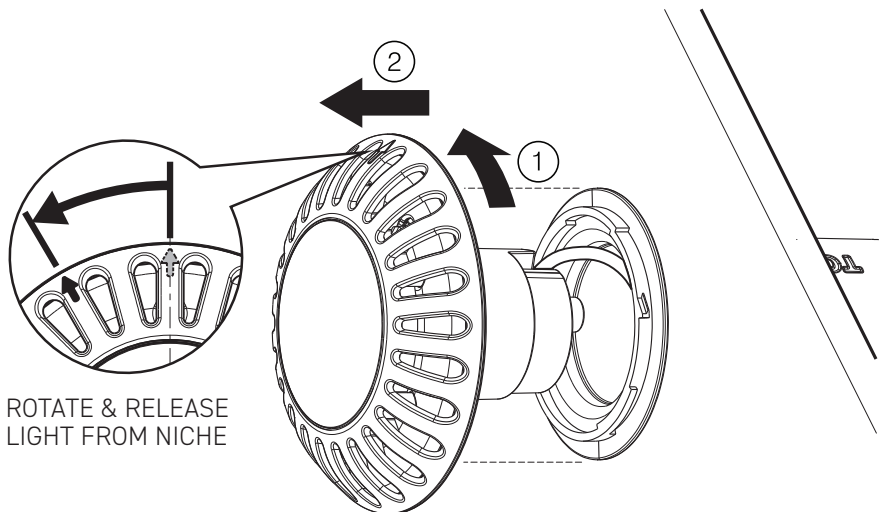
1

HOLD DOWN RED BUTTON



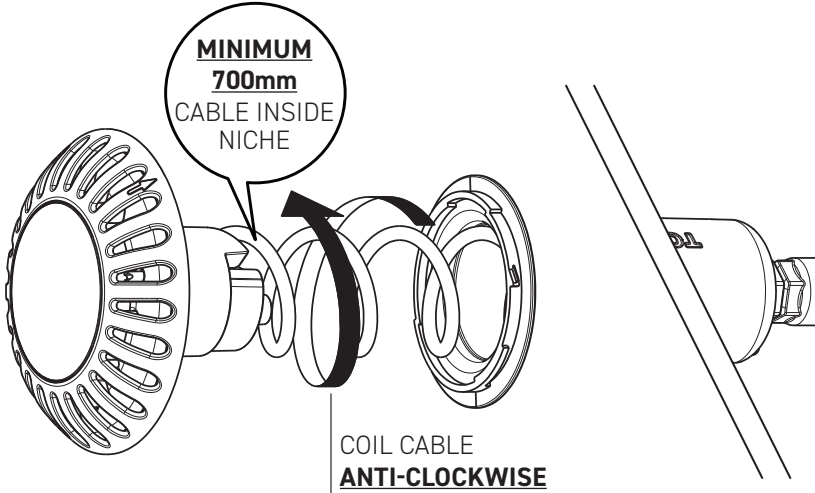
2

ROTATE LIGHT ANTI-CLOCKWISE

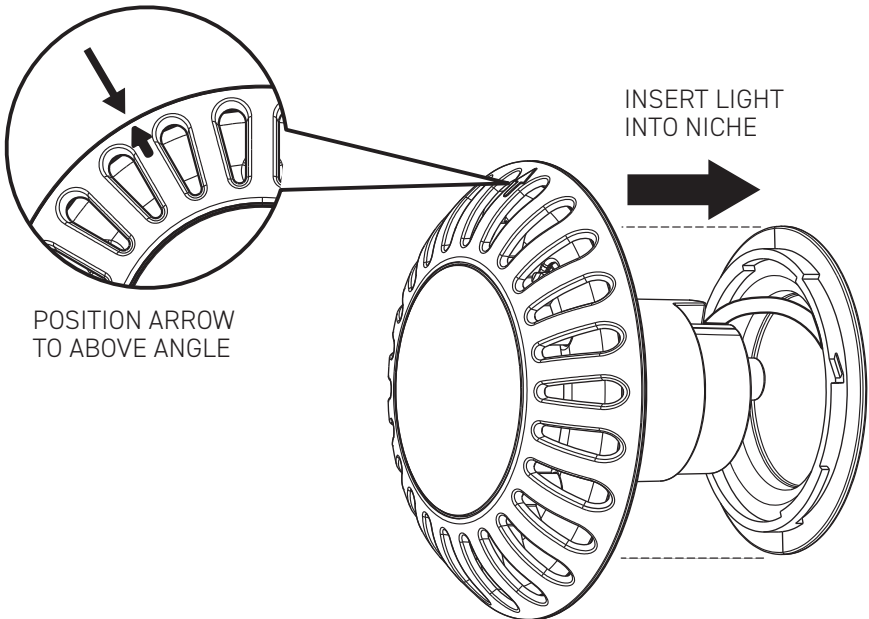


LIGHT ASSEMBLY

1 COIL CABLE ANTI-CLOCKWISE

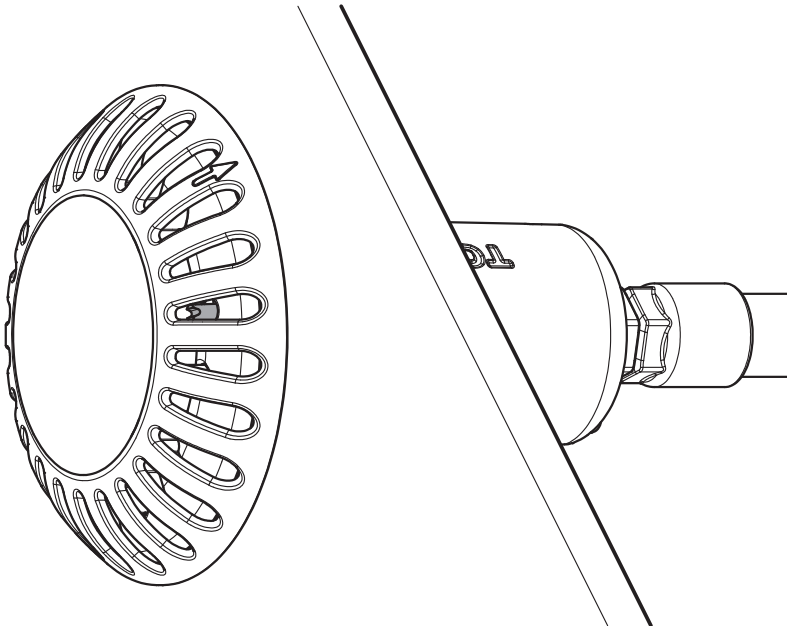
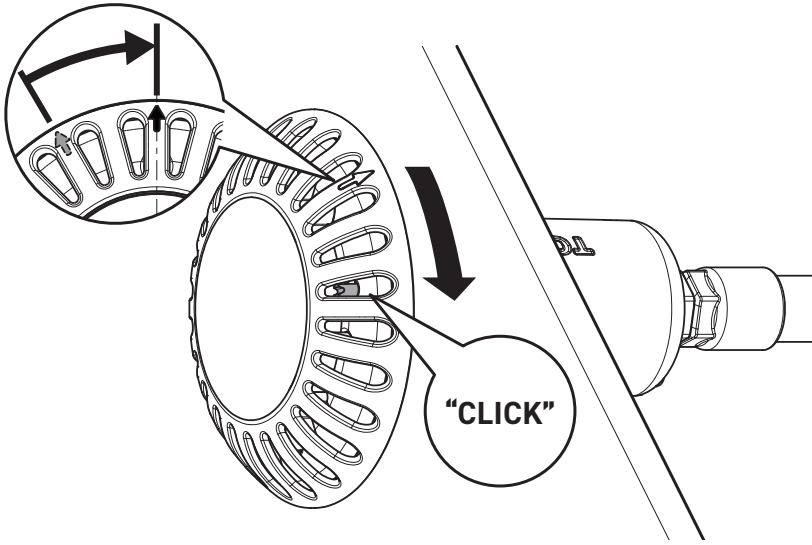


2 INSERT LIGHT INTO NICHE



3

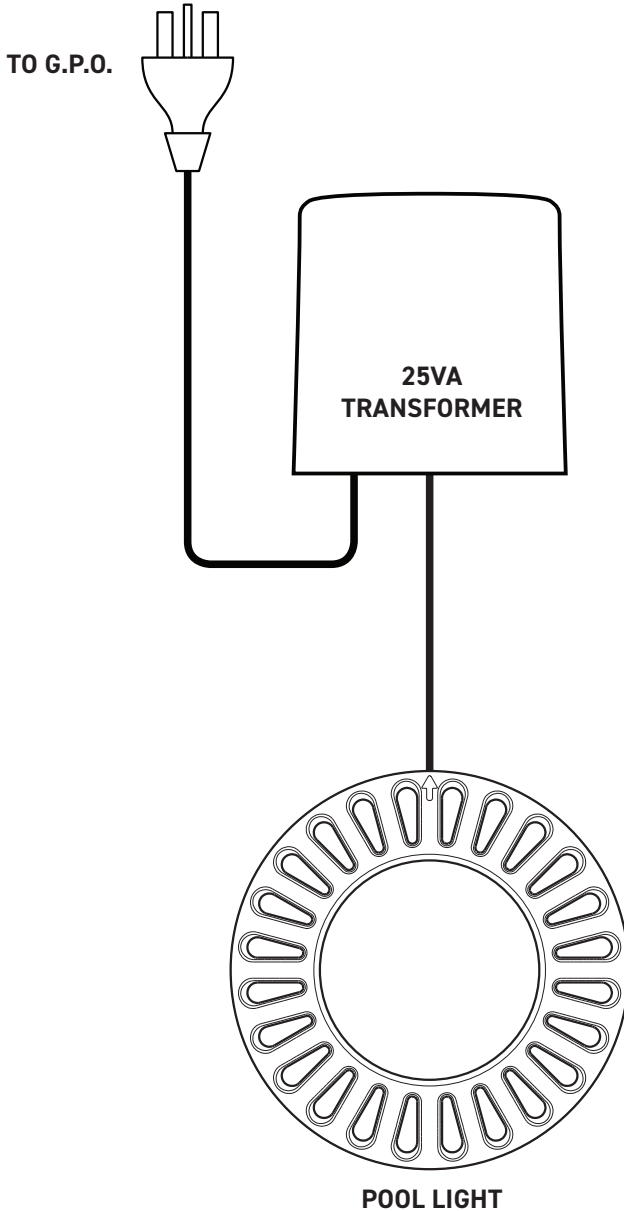
ROTATE LIGHT CLOCKWISE

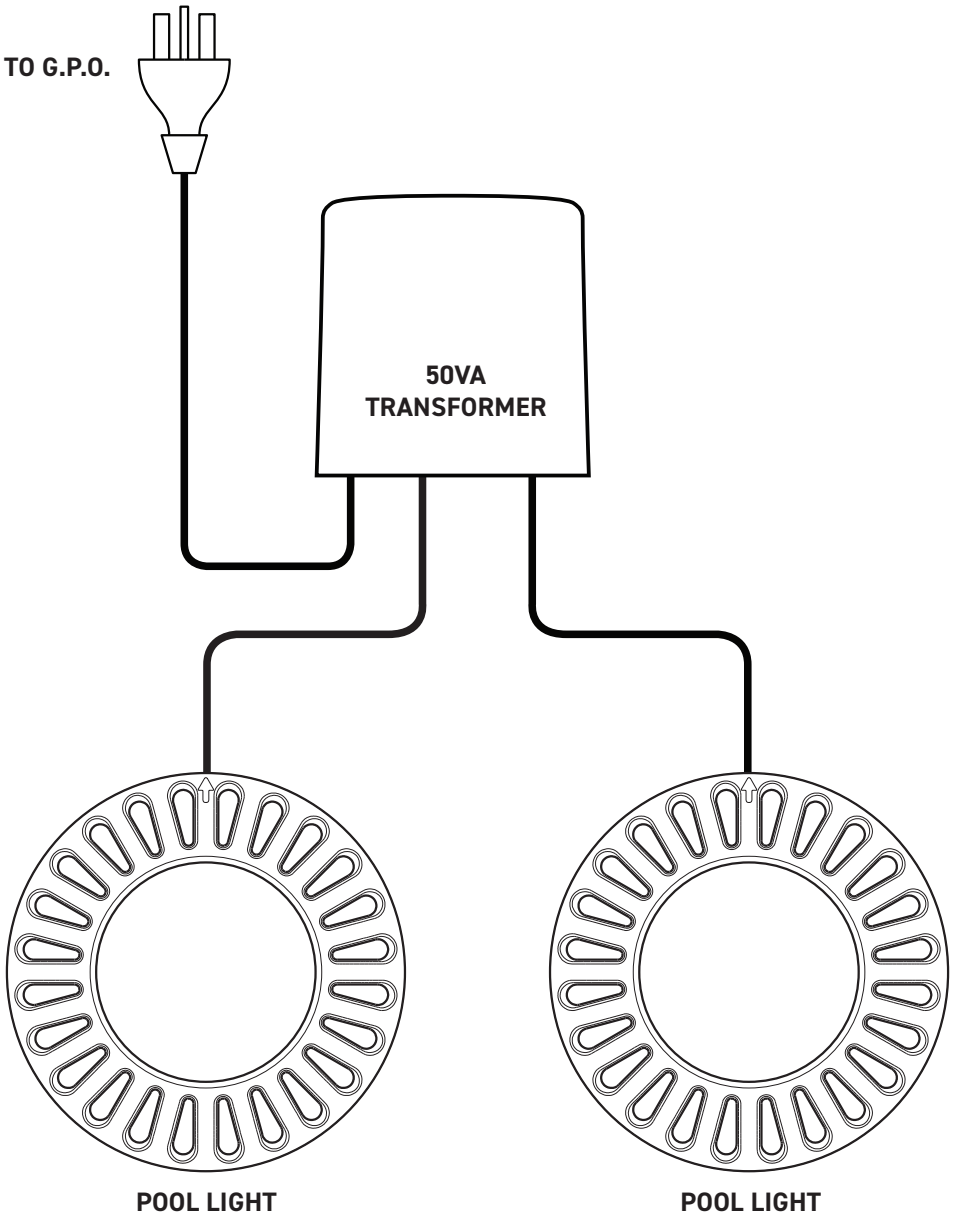


ASSEMBLED LIGHT

CONNECTIONS

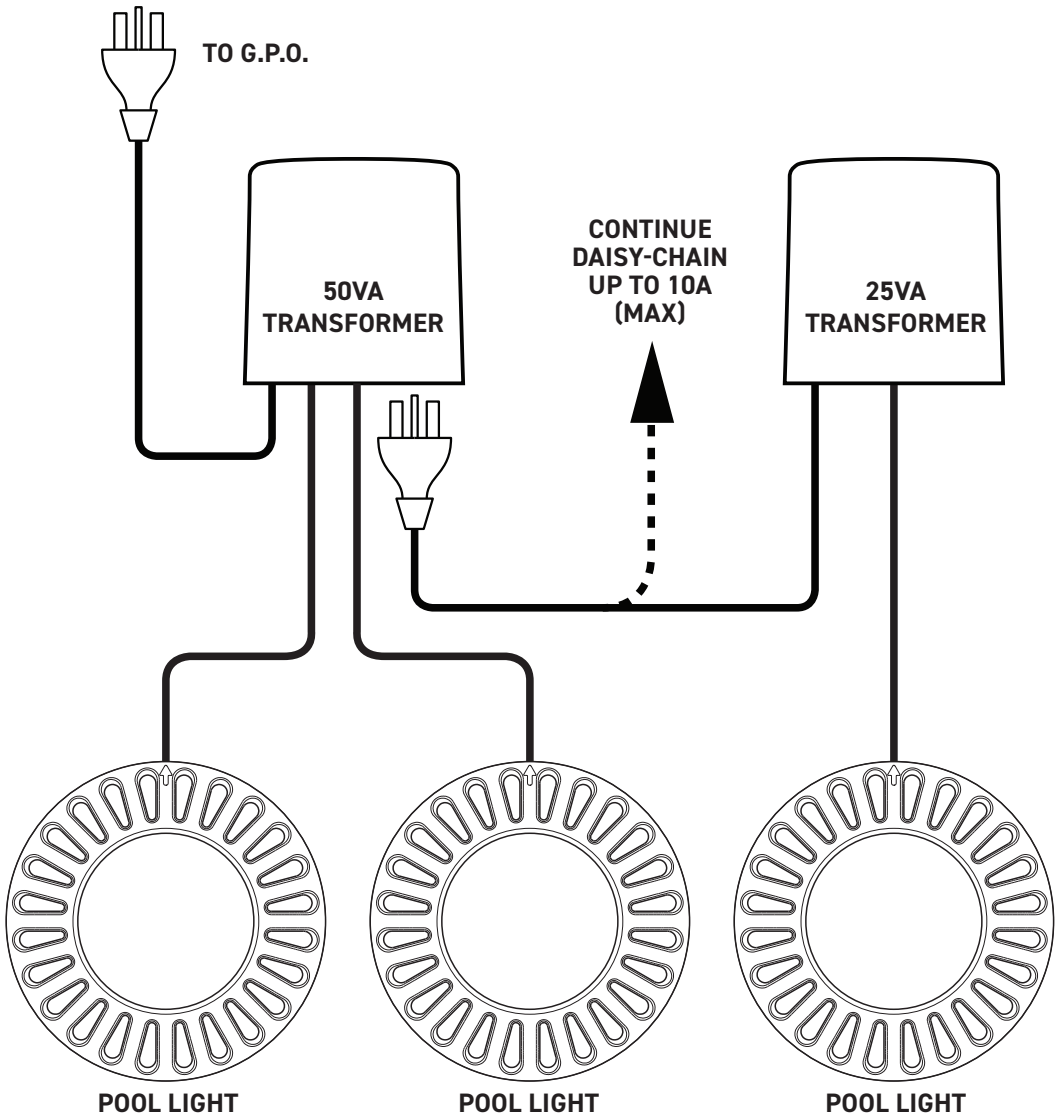
A HOW TO CONNECT SINGLE LIGHT



B**HOW TO CONNECT MULTIPLE LIGHTS**

C

HOW TO CONNECT MULTIPLE LIGHTS



PAGE INTENTIONALLY LEFT BLANK

PAGE INTENTIONALLY LEFT BLANK

PAGE INTENTIONALLY LEFT BLANK



 **Spa Electrics**[®]

© COPYRIGHT 2024 SPA ELECTRICS PTY. LTD.
ALL RIGHT RESERVED

2024 11 20