

AGRX 001R1 SUNLINE ADAPTOR

Designed for replacing Rivendale Sunline lights

FOR MORE INFORMATION

Please refer to AGRX Installation Manual.

INCLUDED PARTS



VIVO 045
Adaptor Tool



VIVO 041
1022 Adaptor



ARX 005
Sunline Adaptor

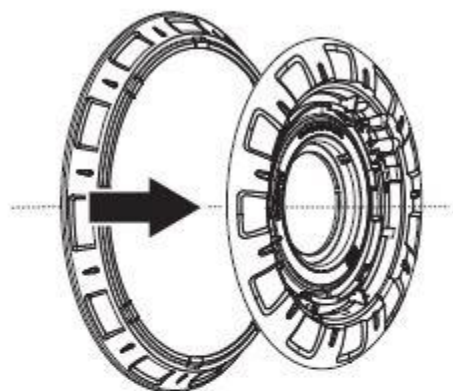


ARX 004
Big Plate Skirt

SUNLINE ADAPTOR INSTALLATION

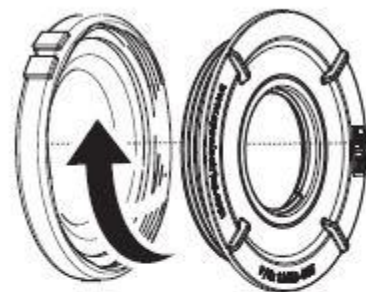
Step 1

Attach Adaptor skirt to AGRX R1 adaptor plate.



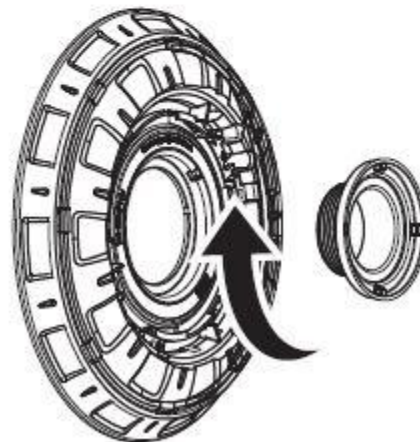
Step 2

Thread Sunline Adaptor into existing niche. Tighten firmly by hand.



Step 3

Affix AGRX R1 adaptor plate to niche using Adaptor Collar. Start thread by hand & continue to step 4.



Step 4

Firmly secure AGRX R1 adaptor plate to niche using Adaptor tool provided.

